

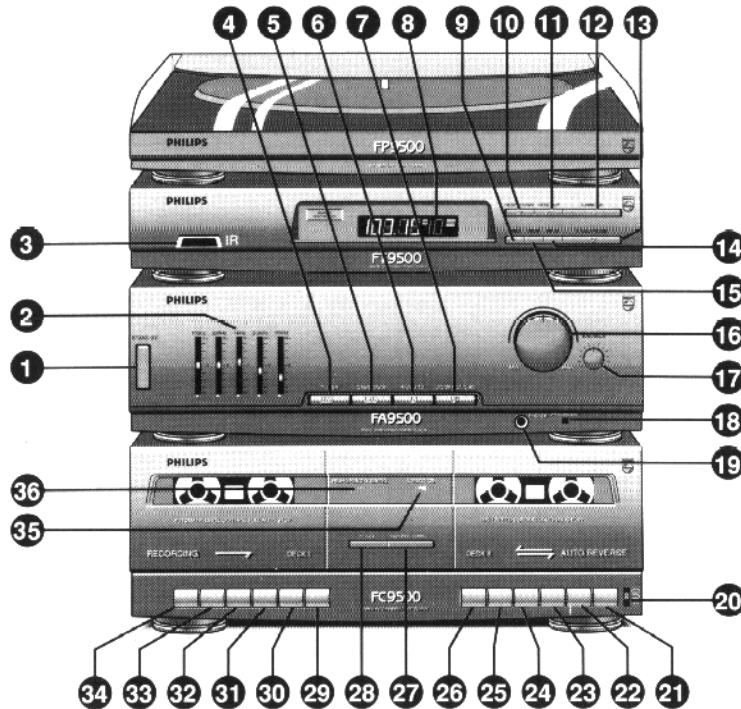
Service
Service
Service

www.rtvcenter.com
 repairtips, servicemanuals
 forum, chassispictures...

For repair information of the cassette mechanism
 see Service Manual of Recorders tape deck RN-1
 and RR-1

For repair information of the Record player
 see Service Manual of Record player HP7D277-1

Service Manual



SELF-TEST PROCEDURE

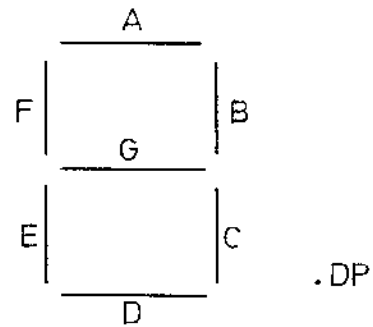
When holding the program-key and preset-key down during power up the EEROM is loaded after which the display lights completely until both keys are released.

The loaded information are as follows:

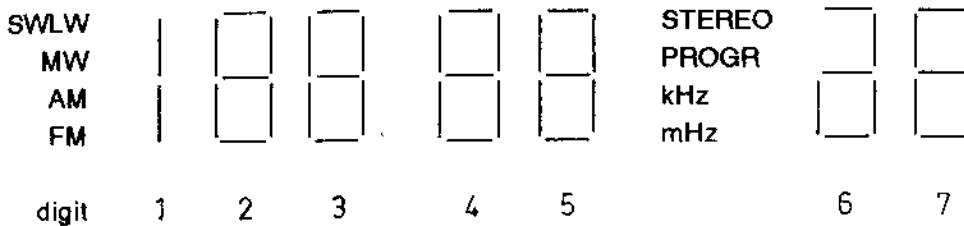
Preset	Frequency			Band
		POL	USA	FM
0	87.50	65.00	87.5	
1	97.00	65.00	106.5	
2	98.00	65.00	87.5	
3	99.00	65.00	87.5	
4	108.00	65.00	87.5	
			USA	MW
5	522		530	
6	567		580	
7	603		620	
8	1278		1370	
9	1494		1610	
10	1611			
				LW
11	148			
12	155			
13	200			
14	275			
15	284			
		EUR		SW
16	3820	5820		
17	3900	5900		
18	11900	13900		
19	12100	14100		

LCD Display / uProcessor Interconnection

COM2	COM1	LCD Pin	uProc Pin
7C	7D	26	43
7G	7E	25	44
7B	7F	24	45
6B	7A	23	46
5C	5D	22	47
5G	5E	21	48
5B	5F	20	49
KHZ	5A	19	50
4C	4D	18	51
4G	4E	17	52
4B	4F	16	53
LW	4A	15	54
3C	3D	14	55
3G	3E	13	56
3B	3F	12	57
SW	3A	11	59
2C	2D	10	60
2G	2E	9	61
2B	2F	8	62
1BC	2A	7	63
MW	MHZ,FM,DP	6	64
PROGR	AM	5	1
STEREO	6ADG	4	2
6E	6C	3	3
COM2	-	2	5
-	COM1	1	4



LCD Display

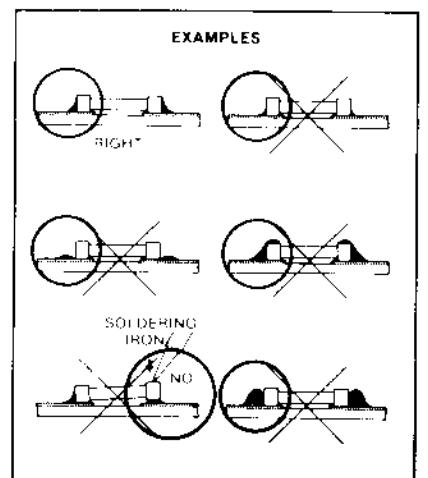
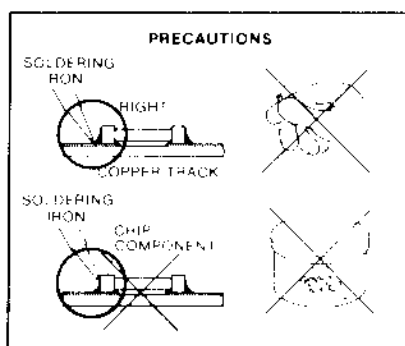
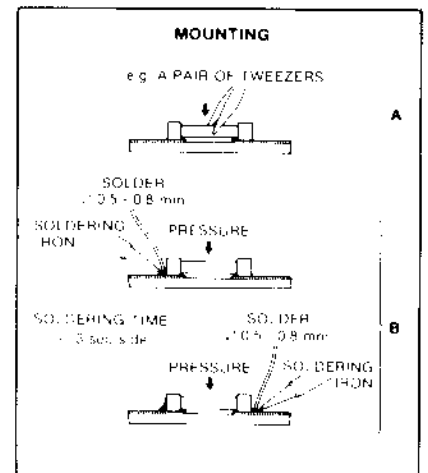
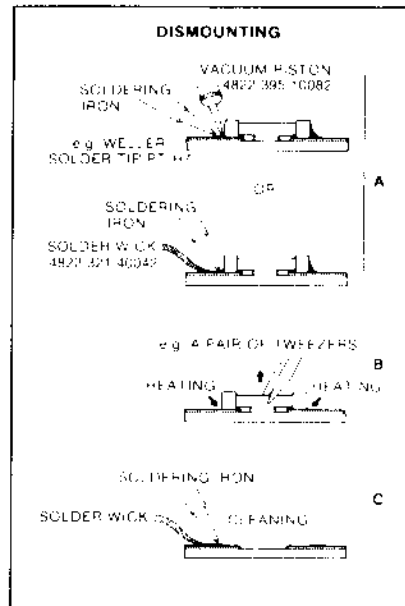
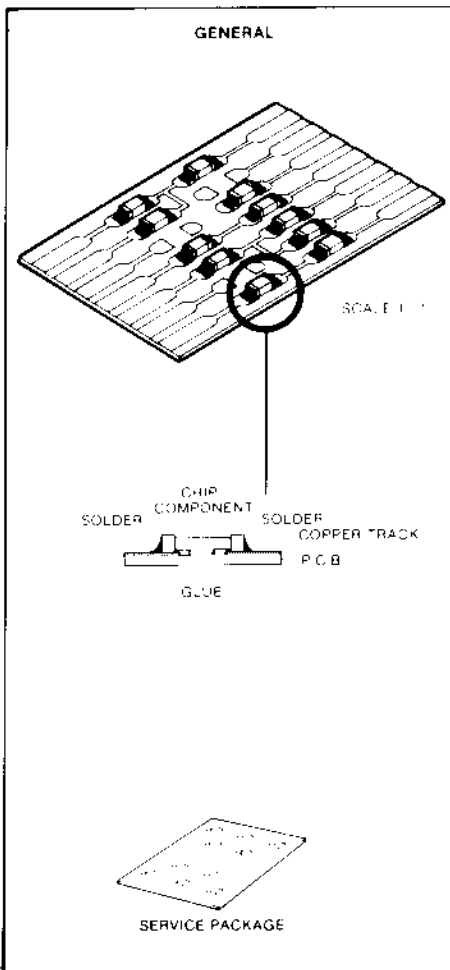


ADJUSTMENT	CASSETTE	Recorder position			MEASURE ON	READ ON	ADJUST WITH	ADJUST TO
		SK...	DECK I	DECK II				
Azimuth	10KHz SBC 420*	Tape	Play	-	1256	mV-meter	Left hand Screw Play head	Max. L = R
		Tape	-	Play fwd	1256	mV-meter	Left hand Screw R/P Head	
		Tape	-	Play rev	1256	mV-meter	Right hand Screw R/P Head	
Motor speed (Normal)	3150Hz SBC420*	Tape	Play	-	1256	Wow and Flutter meter	3802	** a
		Tape	-	Play	1256	Wow and Flutter meter	3808	
Motor speed (high)	3150Hz SBC420*	Tape HS Dubbing	Record	Play	1256	Frequency counter	3820	5670Hz +/-56Hz

* SBC 420 : 4822 397 30071

** a The maximum permissible speed deviation is 2%.
Moreover, the wow and flutter value can be read.
This value should not exceed 0.35%.

HANDLING CHIP COMPONENTS

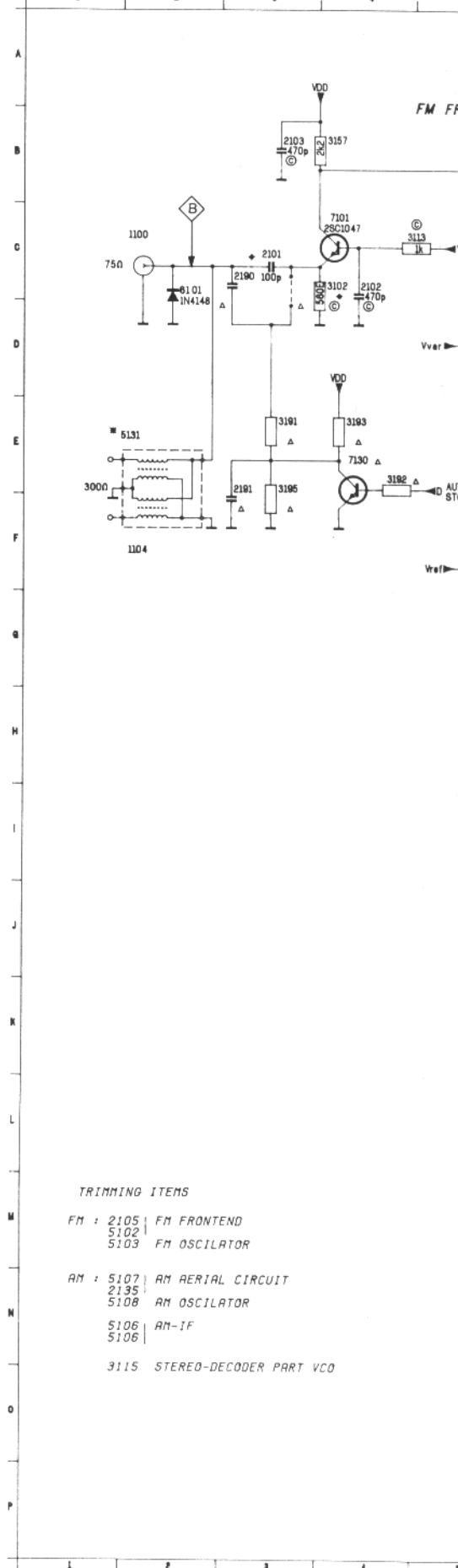


+Vc - 7.4V FM
 8.1V AM
 Vref - 1.2V

	7116	
	FM	AM
1	- 1.7V	1.7V
2	- -	-
3	- -	-
4	- -	-
5	- -	-
6	- 0.2V	4.9V
7	- 0V	0V
8	- 3.8V	0.2V
9	- 1.3V	0V
10	- 0.7V	0.7V
11	- 0.1V	0.1V
12	- 0.1V	0.1V
13	- 0.1V	1.8V
14	- 2.8V	0.1V
15	- 5.6V	5.7V
16	- 5.6V	5.7V
17	- -	-
18	- 1.0V	1.0V
19	- 0V	0V
20	- 0.9V	0.9V

	7117	
	FM	AM
1	- 0V	1.0V
2	- 1.4V	1.5V
3	- 0.2V	1.0V
4	- 3.2V	3.2V
5	- 2.4V	2.4V
6	- 2.4V	2.4V
7	- 7.4V	8.1V
8	- 3.8V	3.8V
9	- 1.4V	1.3V
10	- 1.0V	1.2V
11	- 0V	0V
12	- 0.1V	0.2V
13	- 1.3V	0V
14	- 0V	0V
15	- 1.3V	0V
16	- 0.2V	0V
17	- 0V	0V
18	- 0.3V	0V
19	- 1.2V	1.2V
20	- 1.2V	1.2V
21	- 1.2V	1.2V
22	- 1.2V	1.2V
23	- 1.2V	1.2V
24	- 1.2V	1.2V
25	- 0.2V	0V
26	- 3.2V	3.8V
27	- 1.4V	1.4V
28	- 1.6V	1.6V
29	- 1.0V	1.0V
30	- 0V	0V

1105 P22 2104 C 9 2108 H 7 2112 R12 2116 E12 2120 R19 2124 Q24 2128
 2101 C 3 2105 B 6 2109 G 6 2113 R15 2117 F14 2121 C21 2125 Q24 2129
 2102 C 4 2106 F 9 2110 B 7 2114 B14 2118 F15 2122 C20 2126 Q25 2130
 2103 B 3 2107 F 8 2111 F 5 2115 B20 2119 E19 2123 F25 2127 F19 2131



TRIMMING ITEMS
 FM : 2105 | FM FRONTEND
 5102 |
 5103 | FM OSCILATOR
 AM : 5107 | AM AERIAL CIRCUIT
 2135 |
 5108 | AM OSCILATOR
 5106 | AM-IF
 5106 |
 3115 | STEREO-DECODER PART VCO

R19	2124	Q24	2128	E12	2132	I11	2136	N7	2140	J11	2145	L14	2148	K21	2153	J19	2158	C6	2164	B7	2180	C3	3102	C3	3107	810	3111	Q24	3115	F19	3119	017	3123	G14	3128	J10	3132	M11	3136	L15	3140	H25	3144	C21	2125	Q24	2129	E11	2133	H9	2137	N8	2141	016	2146	M14	2150	K21	2154	J19	2159	H6	2165	I16	2181	C3	3103	D5	3108	815	3112	Q24	3116	E11	3120	016	3124	N7	3128	J11	3133	M11	3137	N15	3141	N24	3145	C20	2126	Q25	2130	E10	2134	J7	2138	K8	2142	M10	2147	M15	2151	L22	2155	N23	2160	H9	2168	Q23	3100	C8	3104	F5	3109	E15	3113	C5	3117	M24	3121	016	3125	N7	3130	K11	3134	K14	3138	K22	3142	O24	3146	F25	2127	F19	2131	016	2135	J8	2139	J10	2143	M10	2148	M15	2152	L22	2156	H14	2161	I13	2169	H8	3101	C5	3106	F8	3110	Q20	3114	E19	3118	F17	3122	014	3126	N9	3131	C9	3135	L14	3139	M23	3143	O24	3147
-----	------	-----	------	-----	------	-----	------	----	------	-----	------	-----	------	-----	------	-----	------	----	------	----	------	----	------	----	------	-----	------	-----	------	-----	------	-----	------	-----	------	-----	------	-----	------	-----	------	-----	------	-----	------	-----	------	-----	------	----	------	----	------	-----	------	-----	------	-----	------	-----	------	----	------	-----	------	----	------	----	------	-----	------	-----	------	-----	------	-----	------	----	------	-----	------	-----	------	-----	------	-----	------	-----	------	-----	------	-----	------	----	------	----	------	-----	------	-----	------	-----	------	-----	------	----	------	-----	------	----	------	----	------	-----	------	----	------	-----	------	-----	------	----	------	-----	------	-----	------	-----	------	-----	------	-----	------	-----	------	-----	------	----	------	-----	------	-----	------	-----	------	-----	------	-----	------	-----	------	----	------	----	------	----	------	-----	------	-----	------	-----	------	-----	------	----	------	----	------	-----	------	-----	------	-----	------

FM FRONTEND

FM OSCILLATOR

AM OSCILLATOR

Ferroresistor

LOOPFILTER

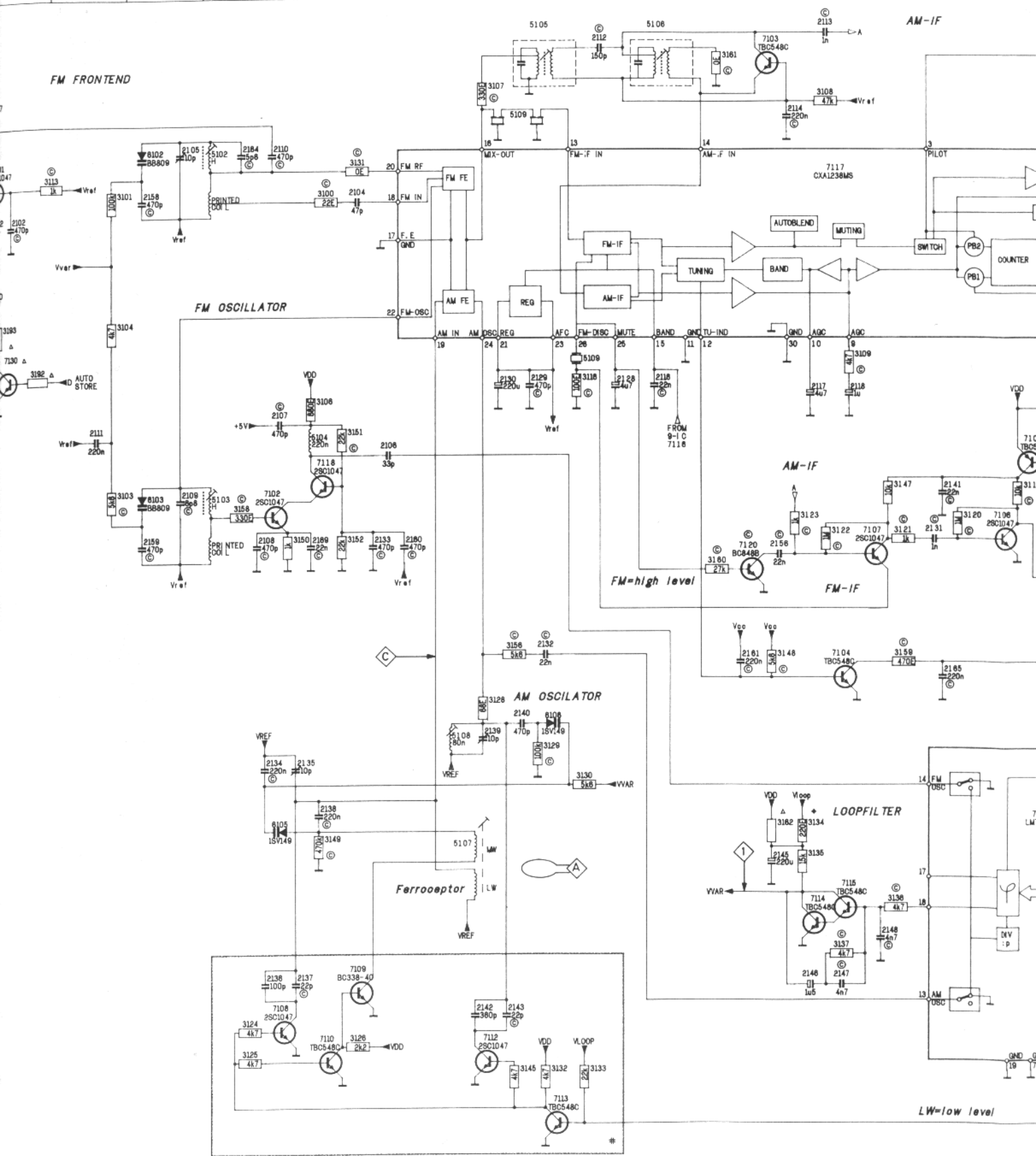
AM-IF

AM-IF

FM-high level

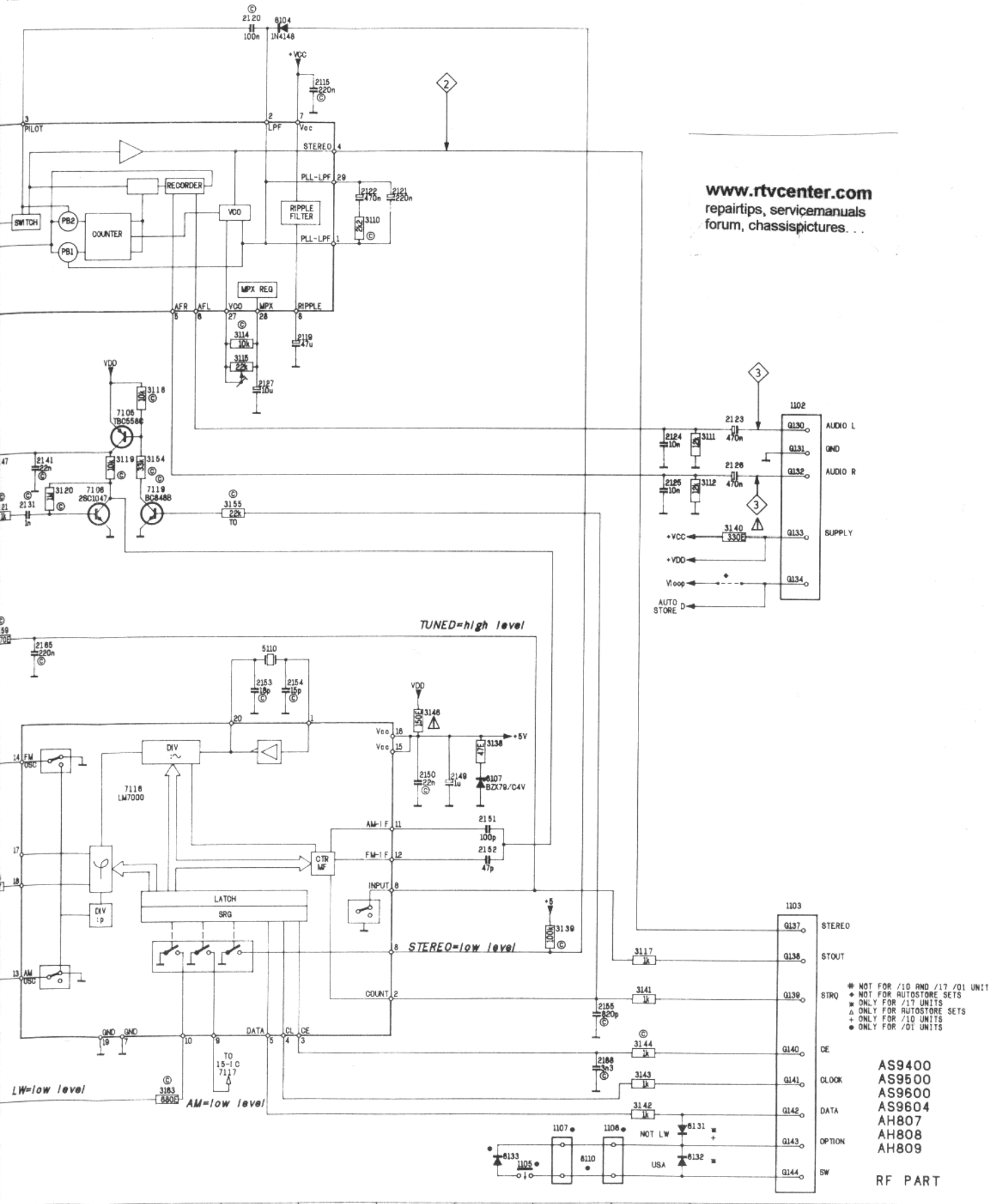
FM-IF

LW-low level



02 N11 3136 L15 3140 H25 3144 N24 3148 I14 3152 H 8 3157 B 3 3161 A13 3192 E 4 5103 D 7 5107 L10 6101 C 2 6105 X 8 6132 P24 7103 R14 7107 G15 7112 N10 7116 K17 7120 H14
 03 N11 3137 H15 3141 N24 3145 N10 3149 K 8 3154 G17 3158 G 7 3162 M14 3193 E 4 5104 F 8 5108 J10 6102 B 8 6106 J11 6133 P22 7104 I15 7108 N 8 7113 O11 7117 C15 7130 E 4
 04 K14 3138 K22 3142 O24 3146 J21 3150 H 8 3155 G19 3159 I16 3163 O18 3195 E 3 5105 A11 5109 E11 6103 D 6 6107 K22 7101 C 4 7105 F17 7109 N 9 7114 L14 7118 G 8
 05 L14 3139 M23 3143 O24 3147 O15 3151 F 8 3156 I11 3160 H13 3191 E 3 5102 C 7 5106 A12 5110 I19 6104 A19 6131 O24 7102 G 7 7106 G17 7110 N 8 7115 L15 7119 G18
 18 17 18 19 20 21 22 23 24 25 26 27 28

AM-IF



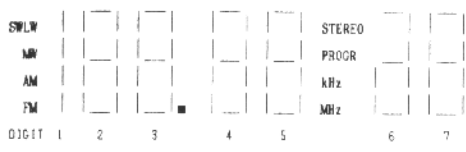
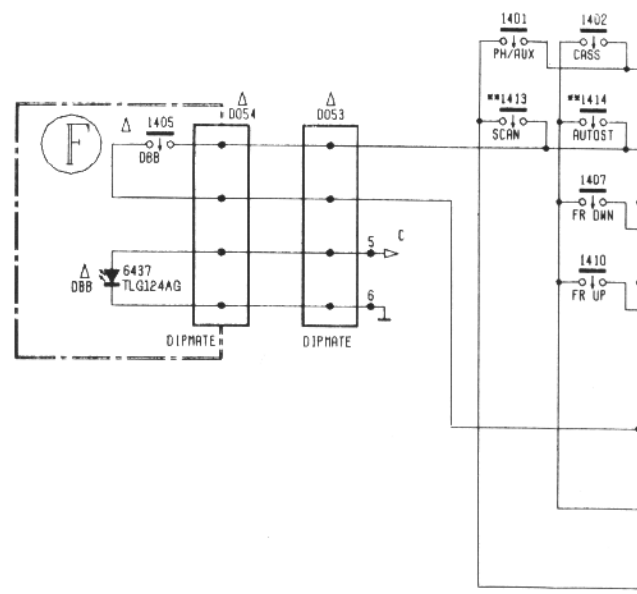
www.rtvcenter.com
 repairtips, servicemanuals
 forum, chassispictures...

NOT FOR /10 AND /17 /01 UNITS
 * NOT FOR AUTOSTORE SETS
 * ONLY FOR /17 UNITS
 Δ ONLY FOR AUTOSTORE SETS
 + ONLY FOR /10 UNITS
 ● ONLY FOR /01 UNITS

AS9400
 AS9500
 AS9600
 AS9604
 AH807
 AH808
 AH809
 RF PART

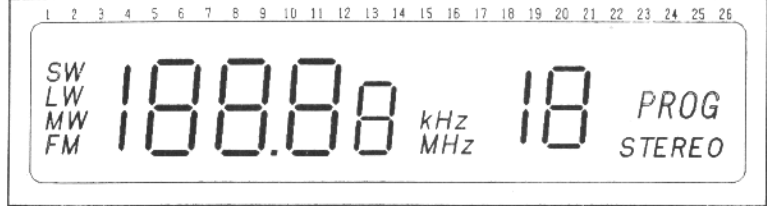
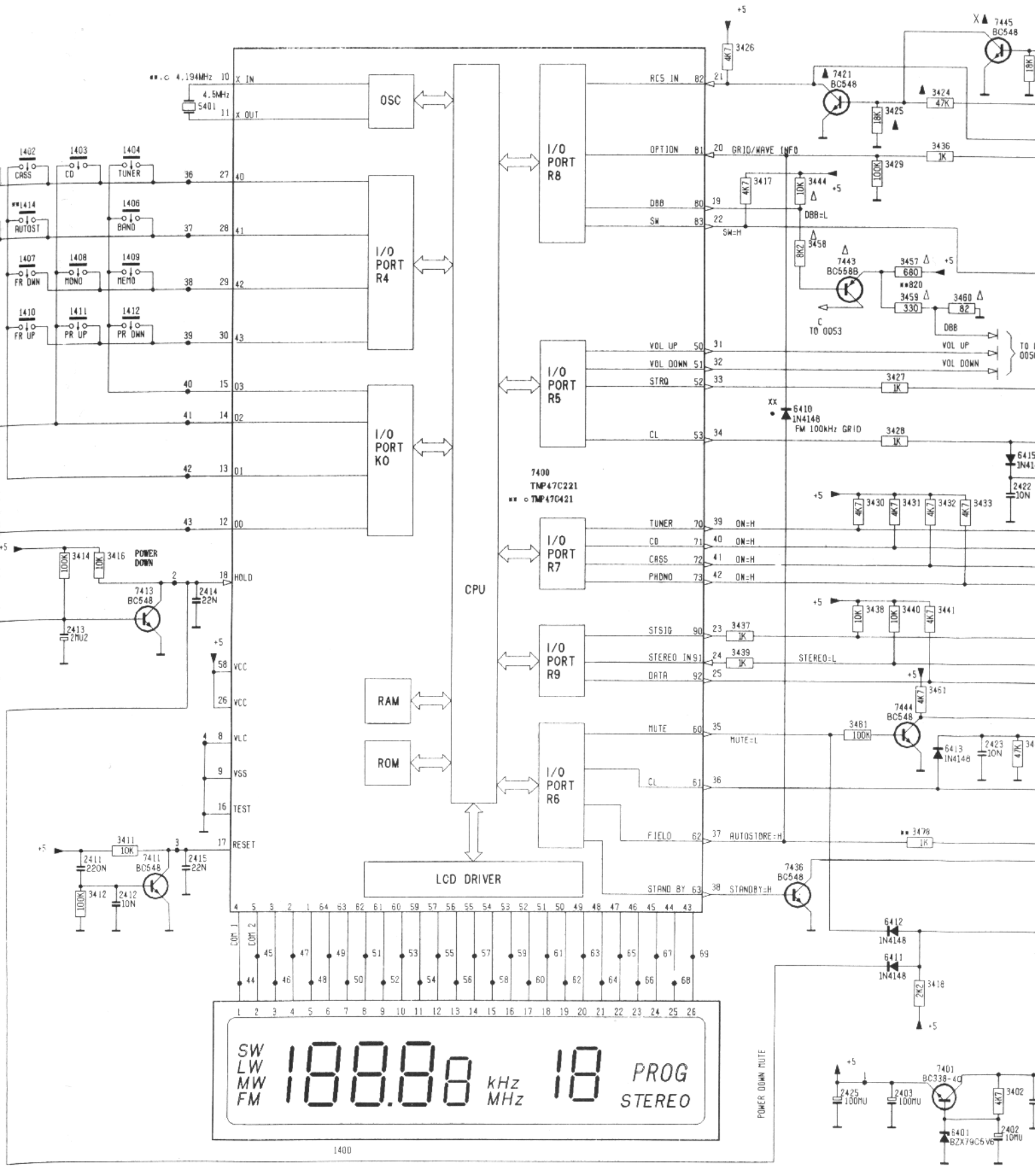
A
B
C
D
E
F
G
H
I
J
K
L
M
N

FRONT/ μ P CONTROL PART

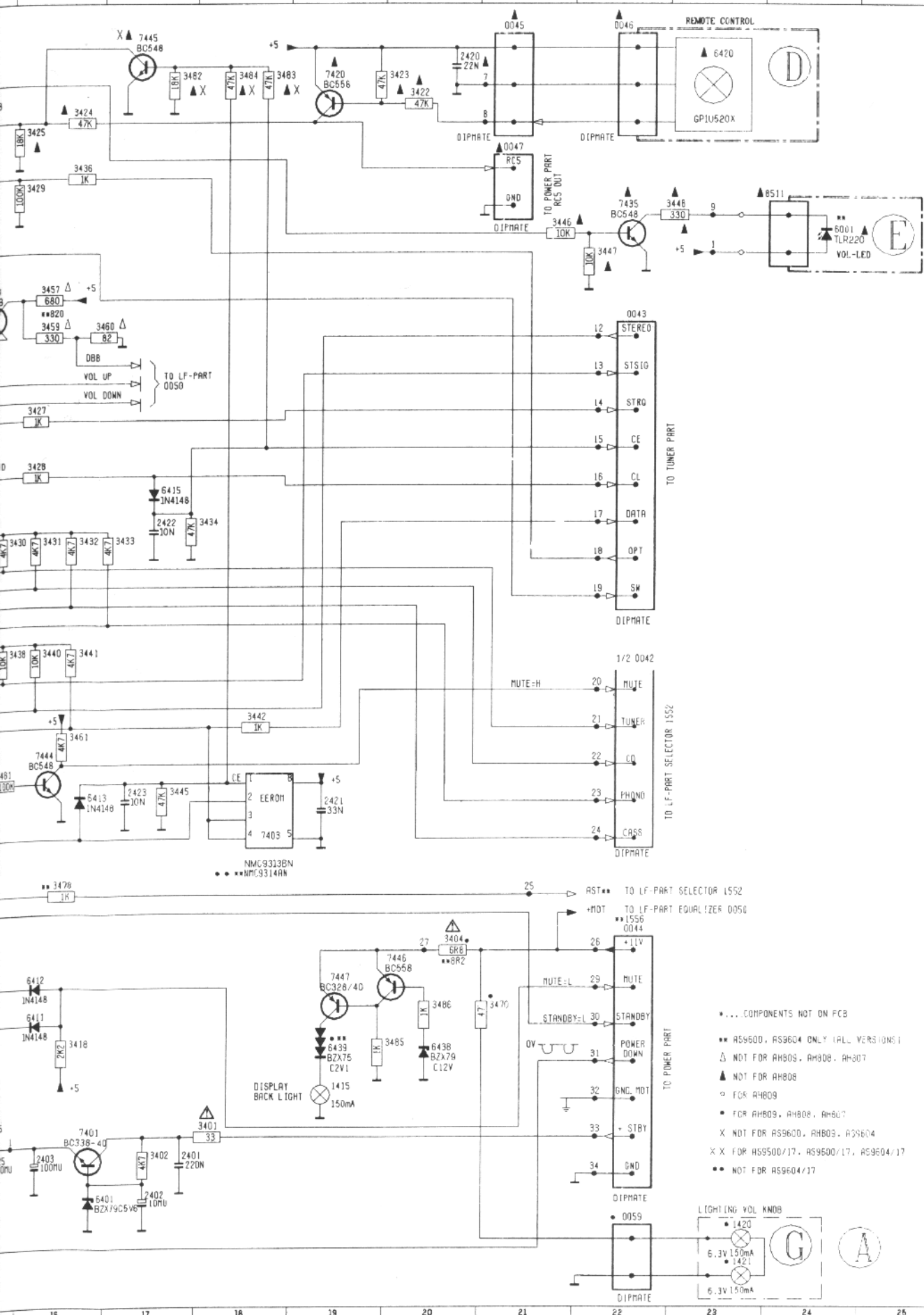


COM2	COM1	PIN LCD	PIN MPRDC
7C	7D	26	43
7E	7E	25	44
7F	7F	24	45
6B	7A	23	46
5C	5D	22	47
5E	5E	21	48
5B	5F	20	49
4C	5A	19	50
4D	4D	18	51
4E	4E	17	52
4B	4F	16	53
LW	4A	15	54
3C	3D	14	55
3E	3E	12	56
3B	3F	12	57
SW	3A	11	58
2C	2B	10	60
2E	2E	9	61
2B	2F	8	62
1B	2A	7	63
MW	MHz DP	6	64
PRDC R	AM	5	1
STER E	BA DG	4	2
BE	6C	3	3
COM2	-	2	5
-	COM1	1	4



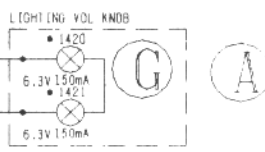


1400



0042	H22
0043	D22
0044	J22
0045	R21
0046	R22
0047	B21
0052	C 4
0054	C 3
0059	N22
1400	N10
1401	B 5
1402	B 6
1403	B 6
1404	B 7
1405	C 3
1406	C 7
1407	D 6
1408	D 6
1409	D 7
1410	D 6
1411	D 6
1412	D 7
1413	C 5
1414	C 6
1415	L19
1420	N23
1421	N23
2401	M17
2402	M17
2403	M16
2411	J 7
2412	K 7
2413	H 6
2414	G 8
2415	J 8
2420	R20
2422	F17
2423	I17
2425	M15
3401	M18
3402	M17
3404	K20
3411	J 7
3412	K 7
3414	G 7
3416	G 7
3417	C14
3418	L16
3422	R20
3423	A19
3424	B16
3425	B16
3426	A14
3427	E16
3428	E16
3429	B16
3430	F15
3431	F16
3432	F16
3433	F17
3434	F17
3436	B16
3437	H14
3438	G15
3439	H14
3440	G16
3441	G16
3442	H18
3443	C15
3445	I17
3446	C21
3447	C22
3448	C23
3457	D16
3458	C15
3459	D16
3460	D17
3461	H16
3462	K21
3478	J16
3479	I15
3481	I15
3482	A17
3483	A18
3484	A18
3485	L19
3486	K20
5401	B 8
6001	C24
5401	E15
6410	M16
6411	K16
6412	K16
6413	F17
6413	F17
6420	A23
6437	D 3
6438	L20
6439	L19
7400	F12
7401	M16
7403	I18
7411	J 8
7413	G 7
7420	A19
7421	A15
7435	C22
7436	J15
7443	D15
7444	I16
7445	A17
7446	K20
7447	K19
8511	C24

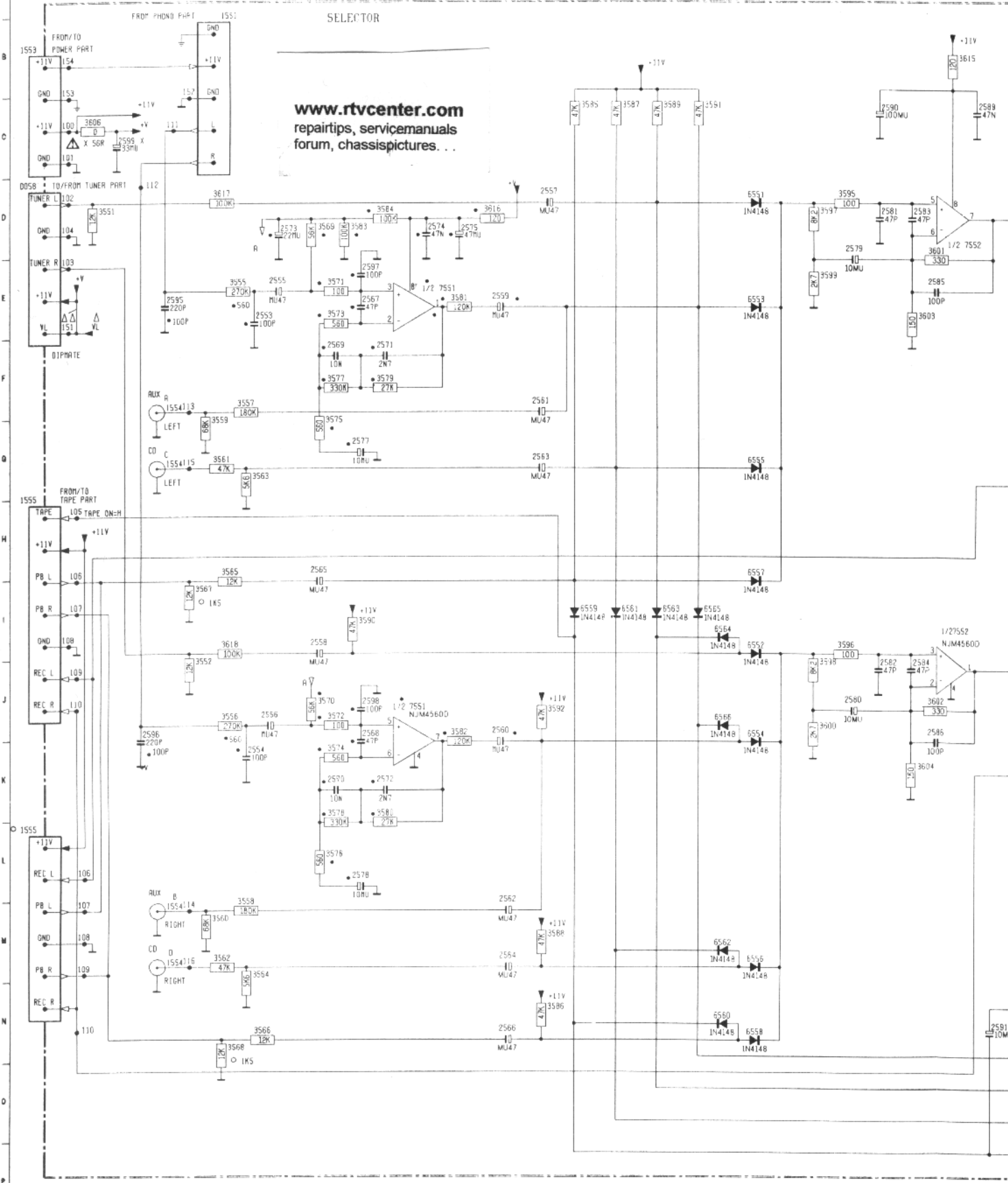
... COMPONENTS NOT ON PCB
 * AS9600, AS9604 ONLY (ALL VERSIONS)
 Δ NOT FOR AH805, AH808, AH807
 ▲ NOT FOR AH808
 ▴ FOR AH809
 • FOR AH809, AH808, AH807
 X NOT FOR AS9600, AH805, AS9604
 X X FOR AS9500/17, AS9600/17, AS9604/17
 •• NOT FOR AS9604/17

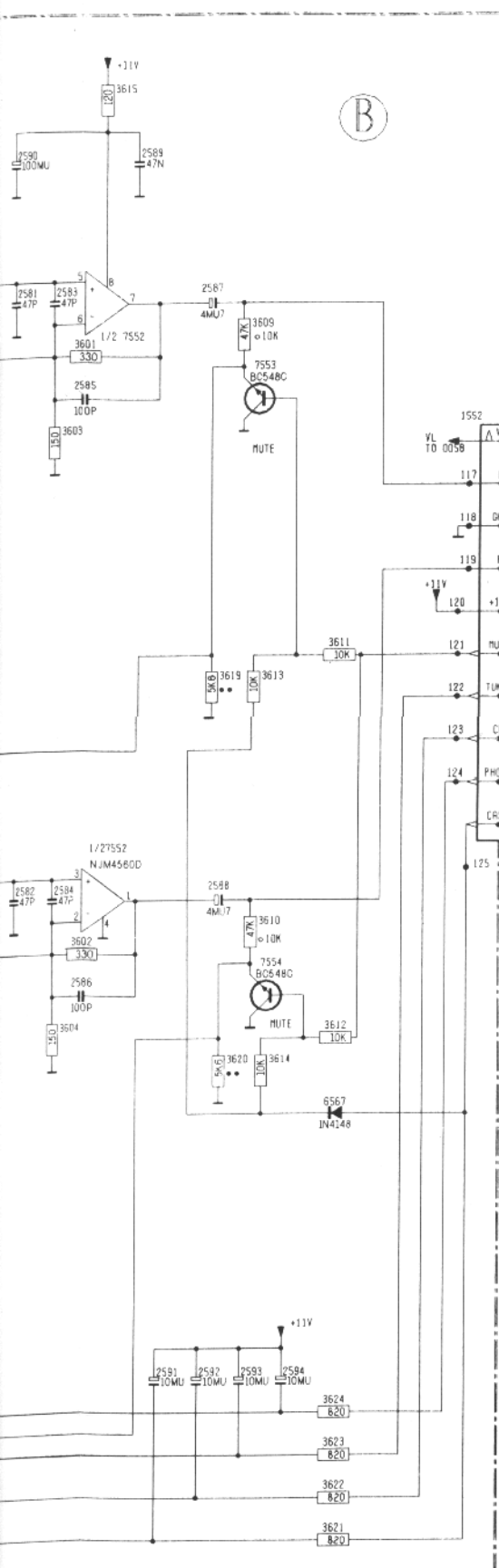


FRONT/LOW FREQUENCY PART

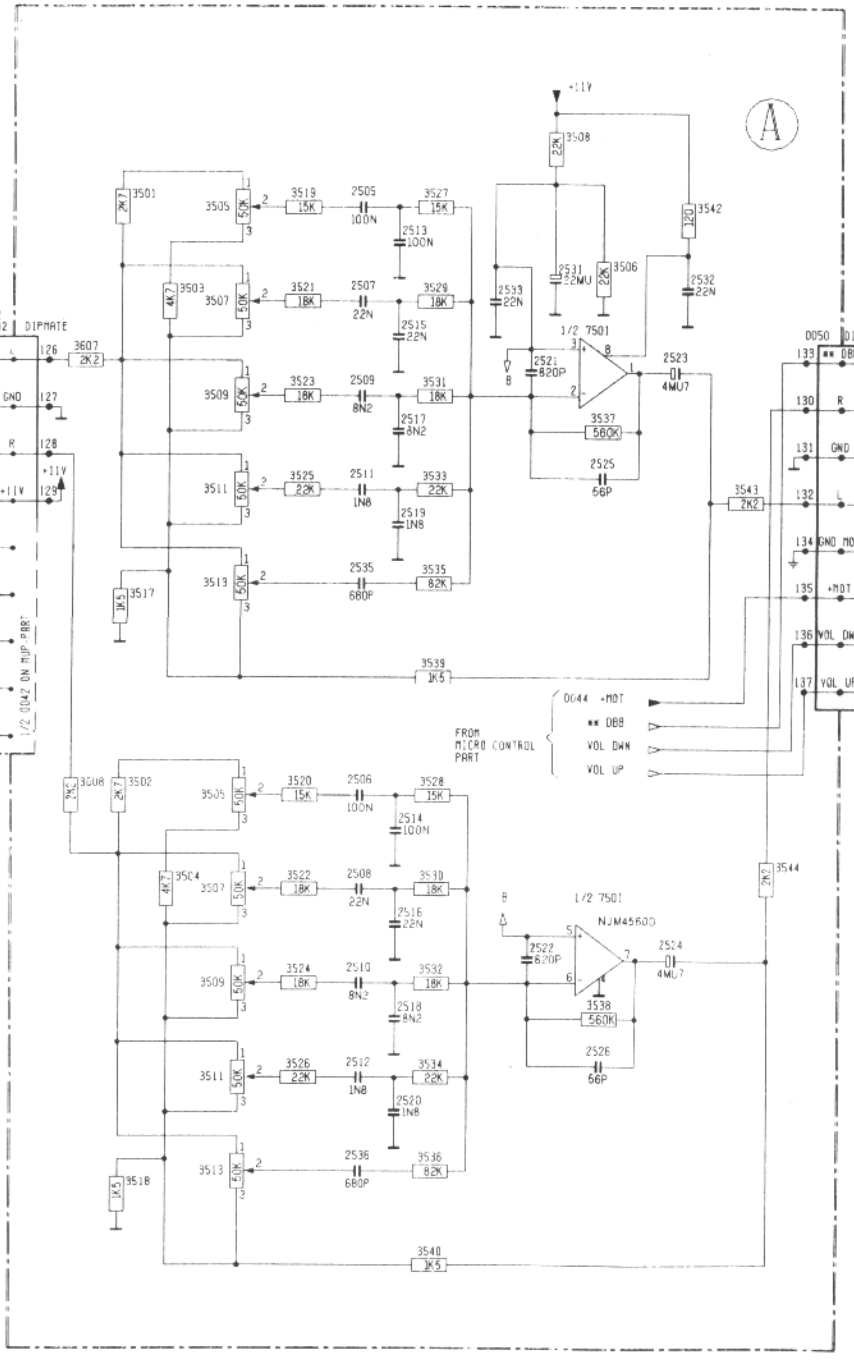
SELECTOR

www.rtvcenter.com
repairtips, servicemanuals
forum, chassispictures...

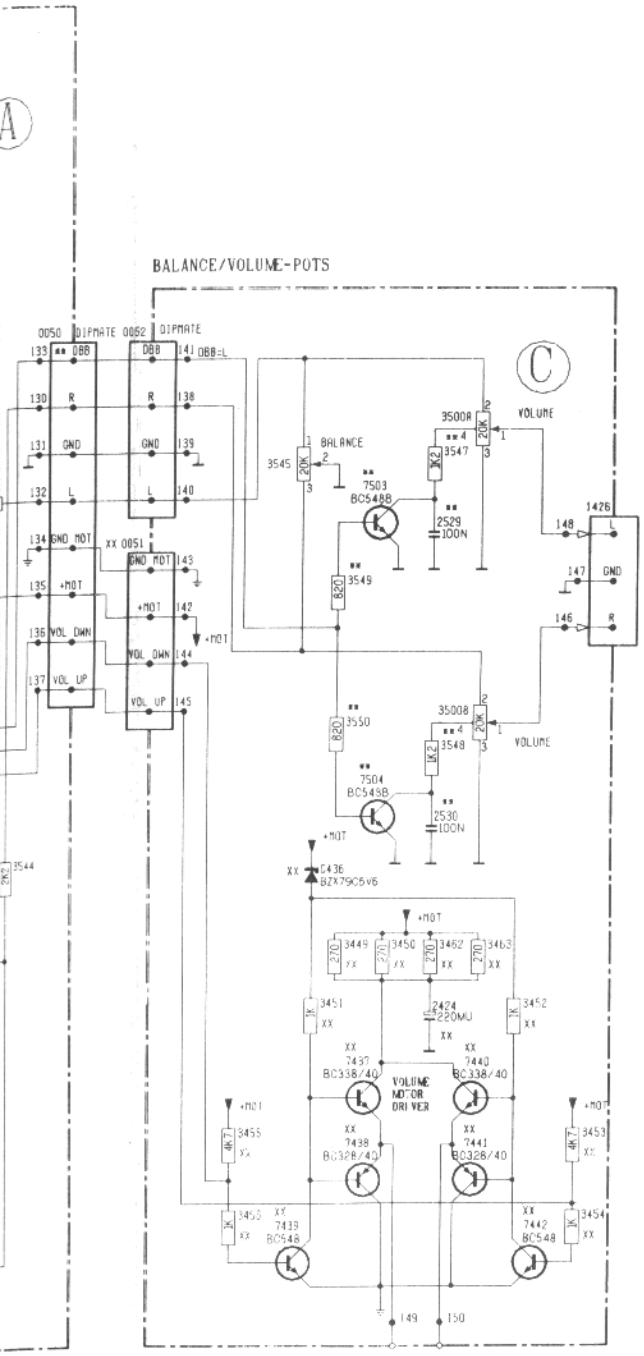




EQUALIZER



- X ONT FOR
- NOT FOR
- FOR RES
- ▲ FOR RES
- FOR RES
- △ FOR RES
- △ NOT FOR
- XX NOT FOR
- NOT FOR



X ONLY FOR AH80.
 ** NOT FOR AH80.
 * FOR AS9500/42, AH807, AH808, AH809
 ▲ FOR AS9500, AS9500/42, AH807, AH808
 ○ FOR AH809 ONLY
 △ FOR AS9500/42 ONLY
 ▲ NOT FOR AS9500/42
 XI NOT FOR AH808
 ● NOT FOR AH809

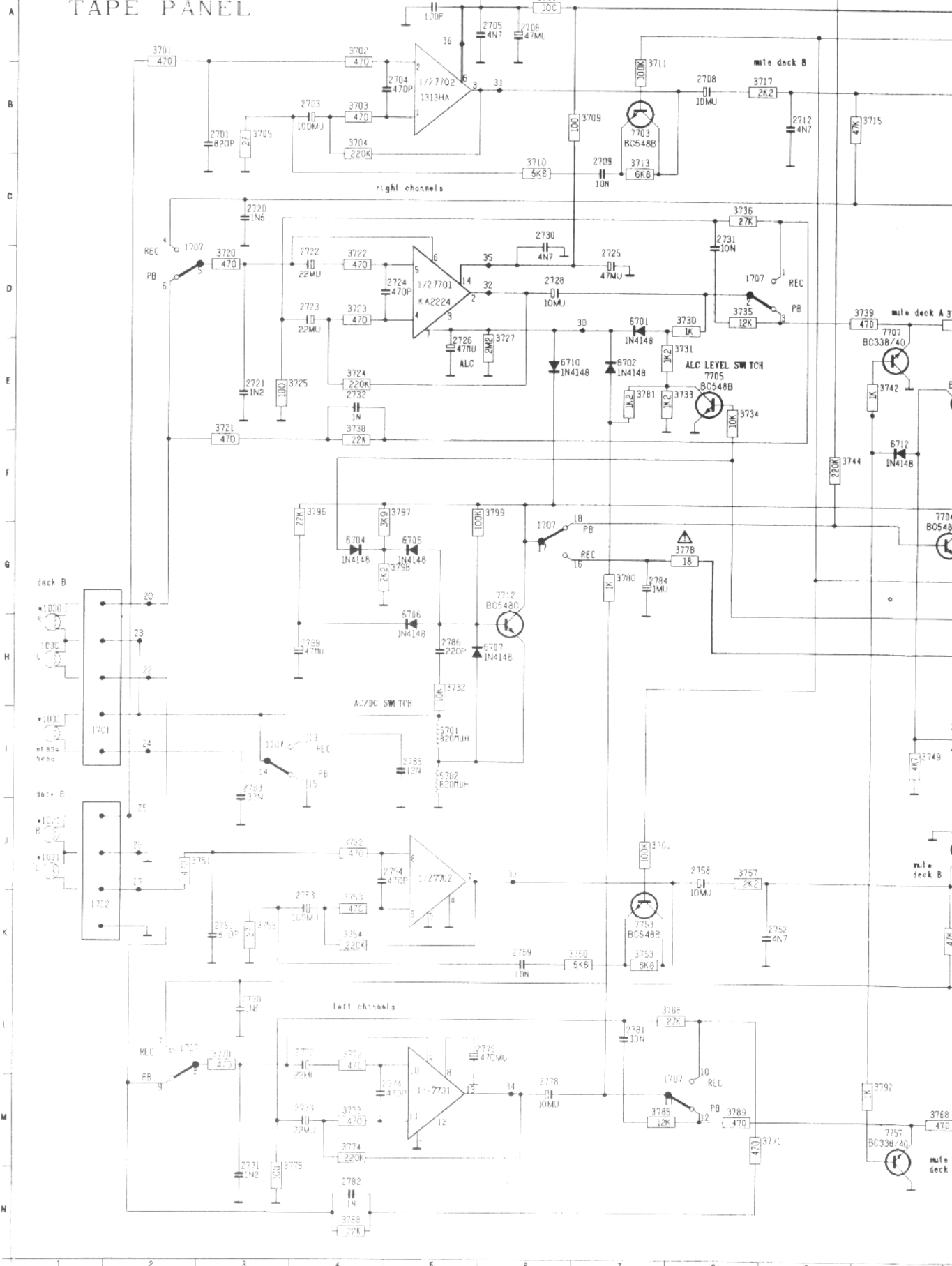
xx [Symbol] 3500C
 VOLUME MOTOR

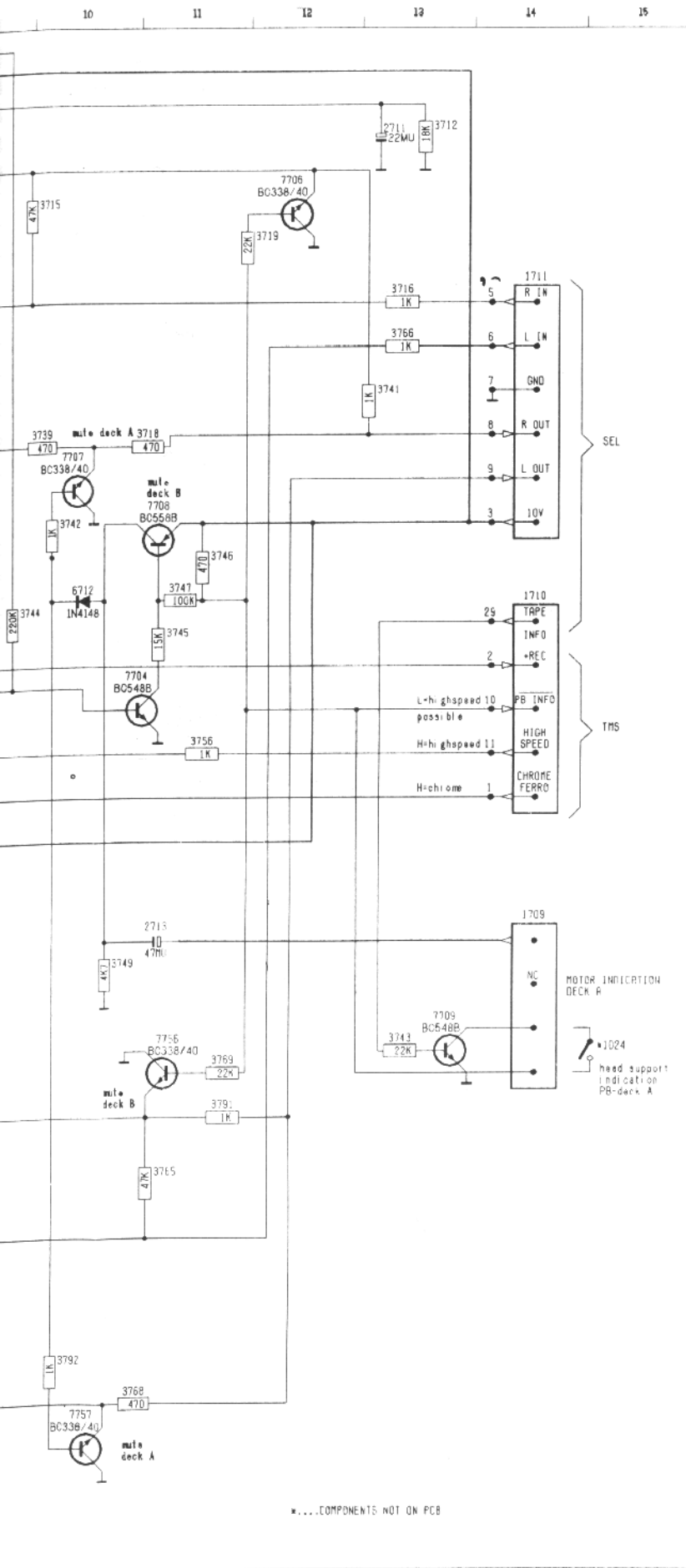
*...COMPONENTS NOT ON PCB

FOR AH80, +11V±14V

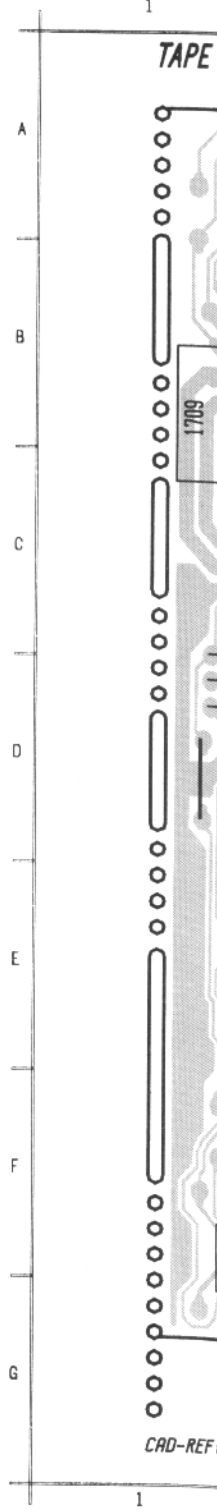
*3500	N26	3526	L19
0042	E16	3527	O20
0050	F23	3528	I20
*0051	G24	3529	E20
0052	E24	3530	J20
0058	D 1	3531	F20
1426	G28	3532	K20
1551	R 3	3533	G20
1552	E15	3534	L20
1553	D 1	3535	
1554	M 2	3536	M20
1554	M 2	3537	F21
1554	G 2	3538	K21
1554	F 2	3539	H20
1555	G 1	3540	M20
1555	L 1	3542	O22
2424	K26	3543	G22
2505	O19	3544	J23
2506	I19	3545	G25
2507	F19	3547	G26
C 2508	J19	3548	I26
2509	F19	3549	H26
2510	K19	3550	I26
2511	O19	3551	D 2
2512	L19	3552	J 3
2513	E19	3555	E 3
2514	J19	3556	J 3
2515	E19	3557	F 3
D 2516	J19	3558	M 3
2517	F19	3559	G 3
2518	K19	3560	M 3
2519	O19	3561	G 3
2520	L19	3562	M 3
2521	F21	3563	G 3
2522	K21	3564	M 3
2523	F22	3565	H 3
E 2524	K22	3566	N 4
2525	G21	3567	I 3
2526	L21	3568	N 3
2529	G26	3569	D 4
2530	J26	3570	J 4
2531	E21	3571	E 5
2532	E22	3572	J 5
2533	E20	3573	E 5
F 2535	O19	3574	K 5
2536	L19	3575	O 4
2539	E 3	3576	L 4
2544	K 3	3577	F 5
2555	E 4	3578	K 5
2556	J 4	3579	F 5
2557	D 7	3580	K 5
2558	I 4	3581	E 6
G 2559	E 7	3582	J 6
2560	J 7	3583	D 5
2561	F 7	3584	D 5
2562	L 7	3585	C 7
2563	G 7	3586	M 7
2564	M 7	3587	C 8
2565	H 4	3588	M 7
2566	M 7	3589	C 8
2567	E 5	3590	I 5
H 2568	J 5	3591	C 9
2569	F 5	3592	J 7
2570	K 5	3595	D11
2571	F 5	3596	I11
2572	K 5	3597	D10
2573	D 4	3598	J10
2574	D 6	3599	E10
2575	D 6	3600	J10
I 2577	G 5	3601	D12
2578	L 5	3602	J12
2579	D11	3603	E12
2580	J11	3604	K12
2581	D11	3606	C 2
2582	J11	3606	C 6
2583	D11	3607	F17
2584	J11	3608	I17
J 2585	E12	3609	D13
2586	J12	3610	J13
2587	D13	3611	G14
2588	I13	3612	K14
2589	C12	3613	H13
2590	C11	3614	K14
2591	M12	3615	B12
2592	N13	3616	D 6
K 2593	N13	3617	D 3
2594	N14	3618	I 3
2595	E 2	3619	H13
2596	J 2	3620	K13
2597	E 5	3621	P14
2598	J 5	3622	O14
2599	C 2	3623	O14
2599	C 6	3624	N14
L 3449	M26	6436	J25
3450	K26	6551	D10
3451	K25	6552	I10
3452	K27	6553	E10
3453	L28	6554	J10
3454	M28	6555	G10
3455	L25	6556	M10
3456	M25	6557	H10
3462	K26	6558	N10
M 3463	K27	6559	I 7
3500A	F27	6560	N 9
3500B	I27	6561	I 8
3501	D17	6562	M 9
3502	I17	6563	I 8
3503	E18	6564	I 9
3504	J18	6565	I 9
3505	I18	6566	J 9
M 3505	O18	6567	L14
3506	E21	7437	L26
3507	J18	7438	L26
3507	E18	7439	N25
3508	O21	7440	L27
3509	K18	7441	L27
3509	F18	7442	M27
3511	L18	7501	J21
O 3511	G18	7503	G26
3513	H18	7504	I26
3513	H18	7551	J 5
3517	H17	7552	I12
3518	H17	7553	E14
3519	O19	7554	J14
3520	I19		
3521	E19		
P 3522	J19		
3523	F19		
3524	K19		
3525	G19		

TAPE PANEL





1021	J 1	3771	M 8	1701	E 5	2713
1021	J 1	3772	L 4	1702	D 4	2720
1024	J14	3773	M 4	1707	F 5	2721
1030	G 1	3774	M 4	1709	B 1	2722
1032	I 1	3775	M 3	1710	B 6	2723
1030	H 1	3778	G 8	1711	B 6	2724
1701	I 1	3780	G 7	2701	C 3	2725
1702	K 1	3781	E 7	2702	C 5	2726
1707	D 2	3785	M 7	2703	C 4	2728
1707	D 8	3786	L 8	2704	C 3	2730
1707	I 3	3788	N 4	2705	C 2	2731
1707	G 6	3789	M 8	2706	C 5	2732
1707	L 2	3791	J11	2708	C 2	2732
1709	M 8	3792	M10	2709	C 2	2751
1709	I14	3796	F 4	2709	D 2	2753
1710	F14	3797	F 4	2711	B 2	2754
1711	C14	3798	G 4	2712	B 9	2754
2701	B 2	3799	F 5	2713	I11	2754
2702	A 5	5701	I 5	2720	C 3	2754
2703	B 4	5702	I 5	2721	E 3	2754
2704	B 4	6701	D 7	2722	D 4	2754
2705	A 5	6702	E 7	2723	D 4	2754
2706	A 6	6704	G 4	2724	D 4	2754
2708	A 8	6705	G 5	2725	D 7	2754
2709	C 7	6706	G 5	2726	E 5	2754
2711	A13	6707	H 5	2728	D 6	2754
2712	B 9	6710	E 6	2730	C 6	2754
2713	I11	6712	F10	2731	C 8	2754
2720	C 3	7701	D 5	2732	E 4	2754
2721	E 3	7702	B 5	2751	K 3	2754
2722	D 4	7703	B 7	2753	K 4	2754
2723	D 4	7704	F10	2754	J 4	2754
2724	D 4	7705	E 8	2758	J 8	2754
2725	D 7	7706	B12	2759	K 6	2754
2726	E 5	7707	D10	2762	K 8	2754
2728	D 6	7708	E11	2770	L 3	2754
2730	C 6	7709	I13	2771	M 3	2754
2731	C 8	7712	G 6	2772	L 4	2754
2732	E 4	7753	K 7	2773	M 4	2754
2751	K 3	7756	J11	2774	M 4	2754
2753	K 4	7757	M10	2775	L 5	2754
2754	J 4			2778	M 6	2754
2758	J 8			2781	L 7	2754
2759	K 6			2782	N 4	2754
2762	K 8			2783	I 3	2754
2770	L 3			2784	G 7	2754
2771	M 3			2785	I 5	2754
2772	L 4			2786	H 5	2754
2773	M 4			2789	H 3	2754
2774	M 4			3701	A 2	2754
2775	L 5			3702	A 4	2754
2778	M 6			3703	B 4	2754
2781	L 7			3704	B 4	2754
2782	N 4			3705	B 3	2754
2783	I 3			3706	A 6	2754
2784	G 7			3709	B 6	2754
2785	I 5			3710	C 6	2754
2786	H 5			3711	A 7	2754
2789	H 3			3712	A13	2754
3701	A 2			3713	C 7	2754
3702	A 4			3715	B 9	2754
3703	B 4			3716	C13	2754
3704	B 4			3717	B 8	2754
3705	B 3			3718	D11	2754
3706	A 6			3719	B11	2754
3709	B 6			3720	D 3	2754
3710	C 6			3721	E 3	2754
3711	A 7			3722	D 4	2754
3712	A13			3723	D 4	2754
3713	C 7			3724	E 4	2754
3715	B 9			3725	E 3	2754
3716	C13			3727	D 6	2754
3717	B 8			3730	D 8	2754
3718	D11			3731	E 7	2754
3719	B11			3732	H 5	2754
3720	D 3			3733	E 7	2754
3721	E 3			3734	E 8	2754
3722	D 4			3735	D 8	2754
3723	D 4			3736	C 8	2754
3724	E 4			3738	E 4	2754
3725	E 3			3739	D10	2754
3727	D 6			3741	D13	2754
3730	D 8			3742	E10	2754
3731	E 7			3743	J13	2754
3732	H 5			3744	F 9	2754
3733	E 7			3745	F11	2754
3734	E 8			3746	E11	2754
3735	D 8			3747	F11	2754
3736	C 8			3749	I10	2754
3738	E 4			3751	J 2	2754
3739	D10			3752	J 4	2754
3741	D13			3753	K 4	2754
3742	E10			3754	K 4	2754
3743	J13			3755	K 3	2754
3744	F 9			3756	G11	2754
3745	F11			3760	K 7	2754
3746	E11			3761	J 7	2754
3747	F11			3763	K 7	2754
3749	I10			3765	K11	2754
3751	J 2			3766	C13	2754
3752	J 4			3767	J 8	2754
3753	K 4			3768	M10	2754
3754	K 4			3769	J11	2754
3755	K 3			3770	L 3	2754
3756	G11					
3760	K 7					
3761	J 7					
3763	K 7					
3765	K11					
3766	C13					
3767	J 8					
3768	M10					
3769	J11					
3770	L 3					

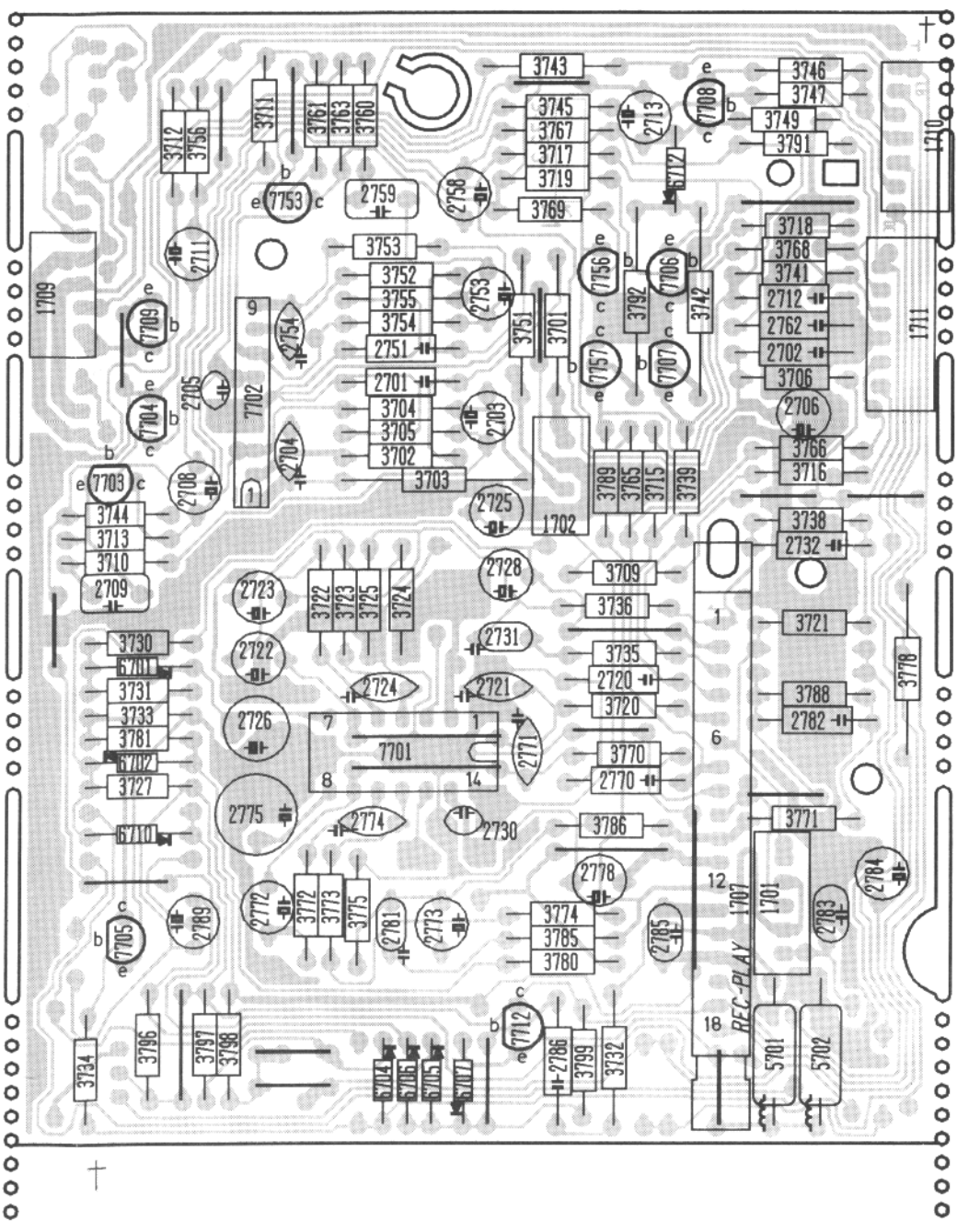


1	E 5	2713	A 4	2759	B 3	3701	C 4	3720	D 4	3741	B 5	3763	A 3	3786	E 4	6707	F 3
2	D 4	2720	D 4	2762	C 5	3702	C 3	3721	D 5	3742	B 5	3765	C 4	3788	D 5	6710	E 2
3	F 5	2721	D 4	2770	E 4	3703	C 3	3722	D 3	3743	A 4	3766	C 5	3789	C 4	6712	B 5
4	B 1	2722	D 2	2771	E 4	3704	C 3	3723	D 3	3744	C 2	3767	A 4	3791	B 5	7701	E 3
5	B 6	2723	D 2	2772	F 2	3705	C 3	3724	D 3	3745	A 4	3768	B 5	3792	B 4	7702	C 2
6	B 6	2724	D 3	2773	F 3	3706	C 5	3725	D 3	3746	A 5	3769	B 4	3796	F 2	7703	C 2
7	C 3	2725	C 4	2774	E 3	3709	D 4	3727	E 2	3747	A 5	3770	E 4	3797	F 2	7704	C 2
8	C 5	2726	E 2	2775	E 2	3710	D 2	3730	D 2	3749	A 5	3771	E 5	3798	F 2	7705	F 2
9	C 4	2728	D 4	2778	E 4	3711	A 2	3731	D 2	3751	C 4	3772	F 3	3799	F 4	7706	B 4
10	C 3	2730	E 4	2781	F 3	3712	B 2	3732	F 4	3752	B 3	3773	F 3	5701	F 5	7707	C 4
11	C 2	2731	D 4	2782	E 5	3713	D 2	3733	E 2	3753	B 3	3774	F 4	5702	F 5	7708	A 5
12	C 5	2732	D 5	2783	F 5	3715	C 4	3734	F 1	3754	B 3	3775	F 3	6701	D 2	7709	B 2
13	C 2	2751	C 3	2784	E 6	3716	C 5	3735	D 4	3755	B 3	3778	D 6	6702	E 2	7712	F 4
14	D 2	2753	B 4	2785	F 4	3717	B 4	3736	D 4	3756	B 2	3780	F 4	6704	F 3	7753	B 3
15	B 2	2754	C 3	2786	F 4	3718	B 5	3738	D 5	3760	A 3	3781	E 2	6705	F 3	7756	B 4
16	B 5	2758	B 3	2789	F 2	3719	B 4	3739	C 5	3761	A 3	3785	F 4	6706	F 3	7757	C 4

7701

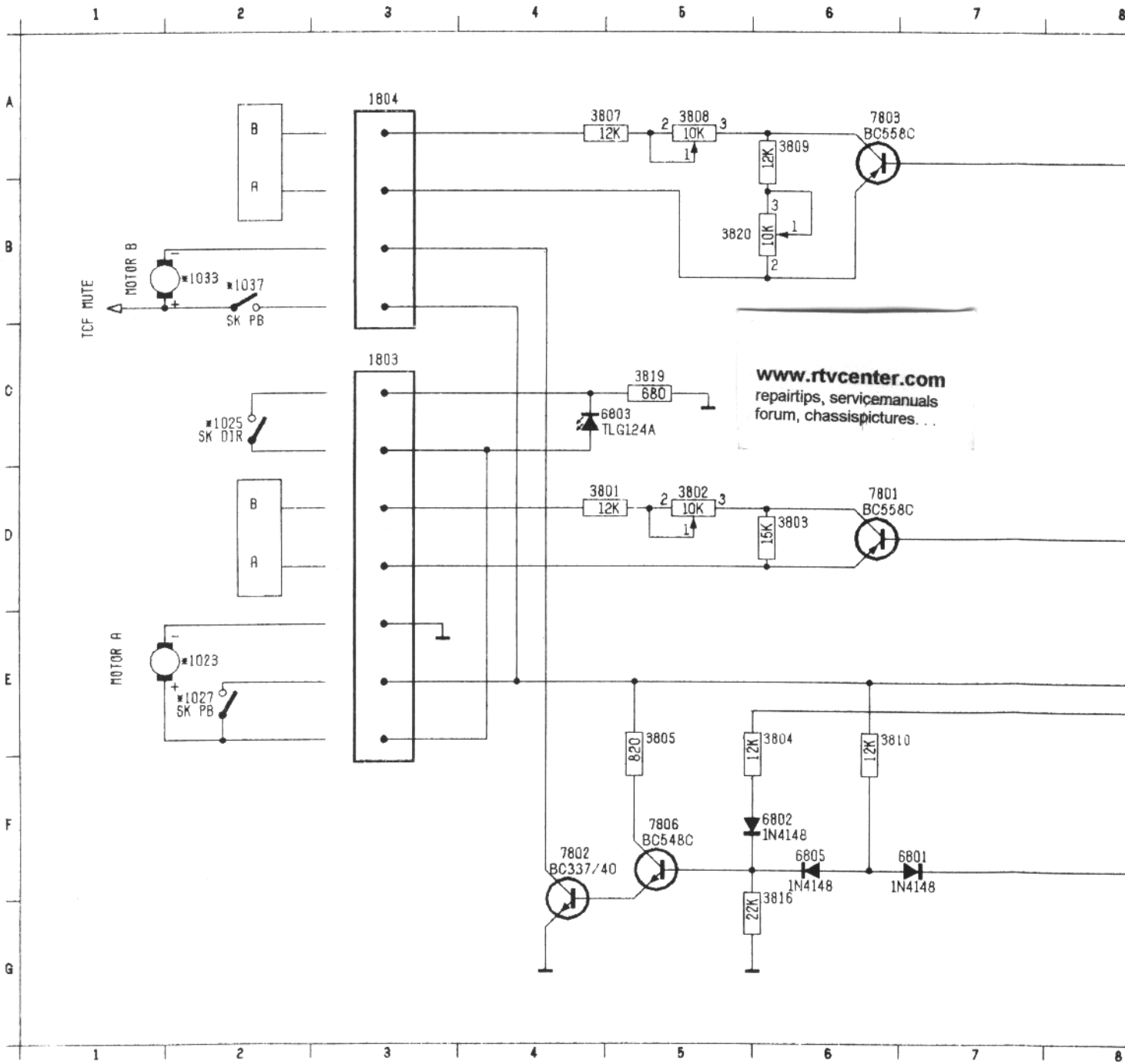
- 1 - 0V
- 2 - 5.4V
- 3 - 9.9V
- 4 - 5.3V
- 5 - 5.3V
- 6 - 0V
- 7 - 0.5V
- 8 - 5.3V
- 9 - 0V
- 10 - 5.3V
- 11 - 5.3V
- 12 - 9.9V
- 13 - 5.4V
- 14 - 10.6V

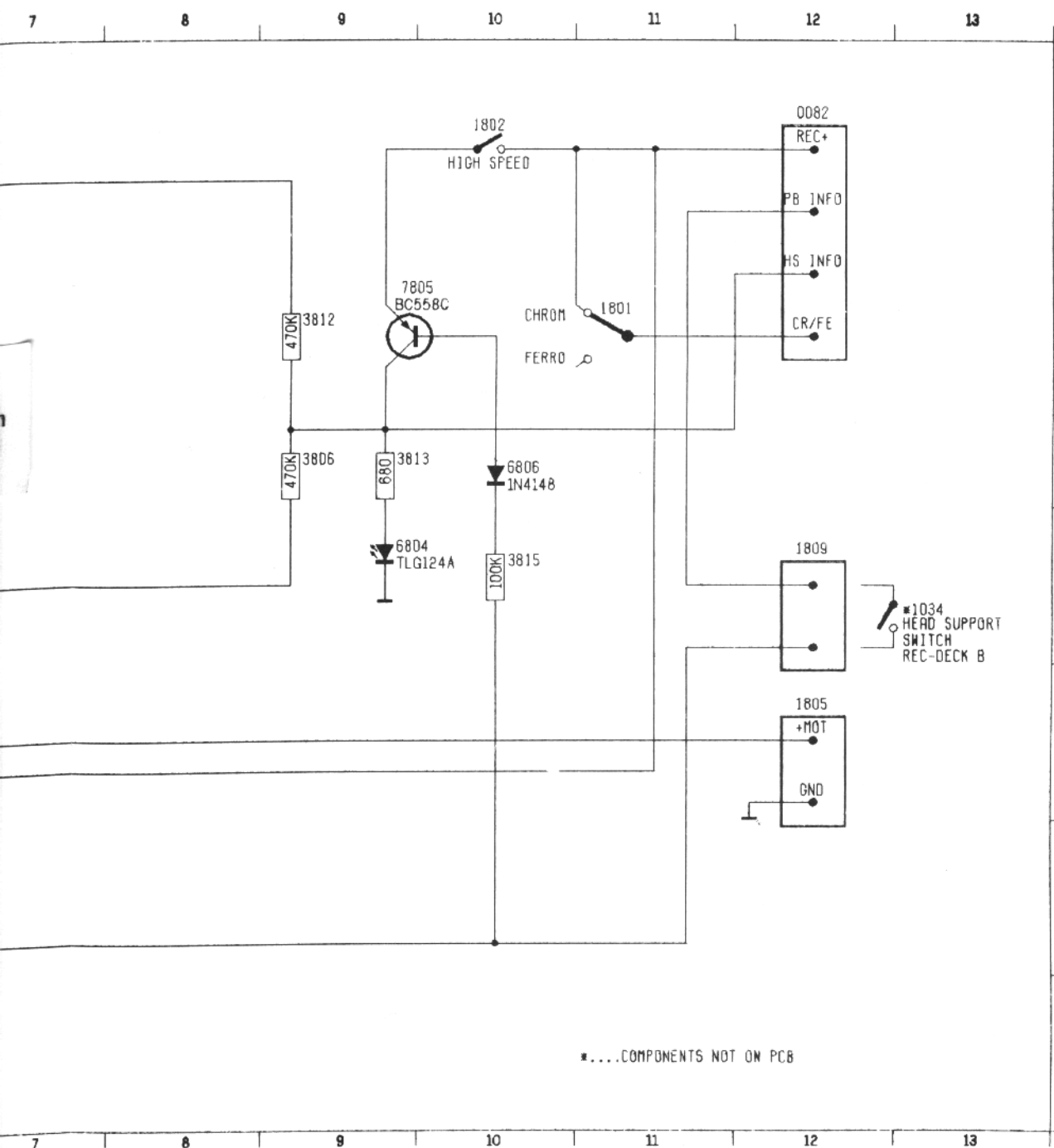
TAPE BOARD / COMPONENT SIDE VIEW / AS9500.00



7702

- 1 - 1.2V
- 2 - 0V
- 3 - 2.5V
- 4 - 0V
- 5 - 0V
- 6 - 10.8V
- 7 - 2.5V
- 8 - 0V
- 9 - 1.2V



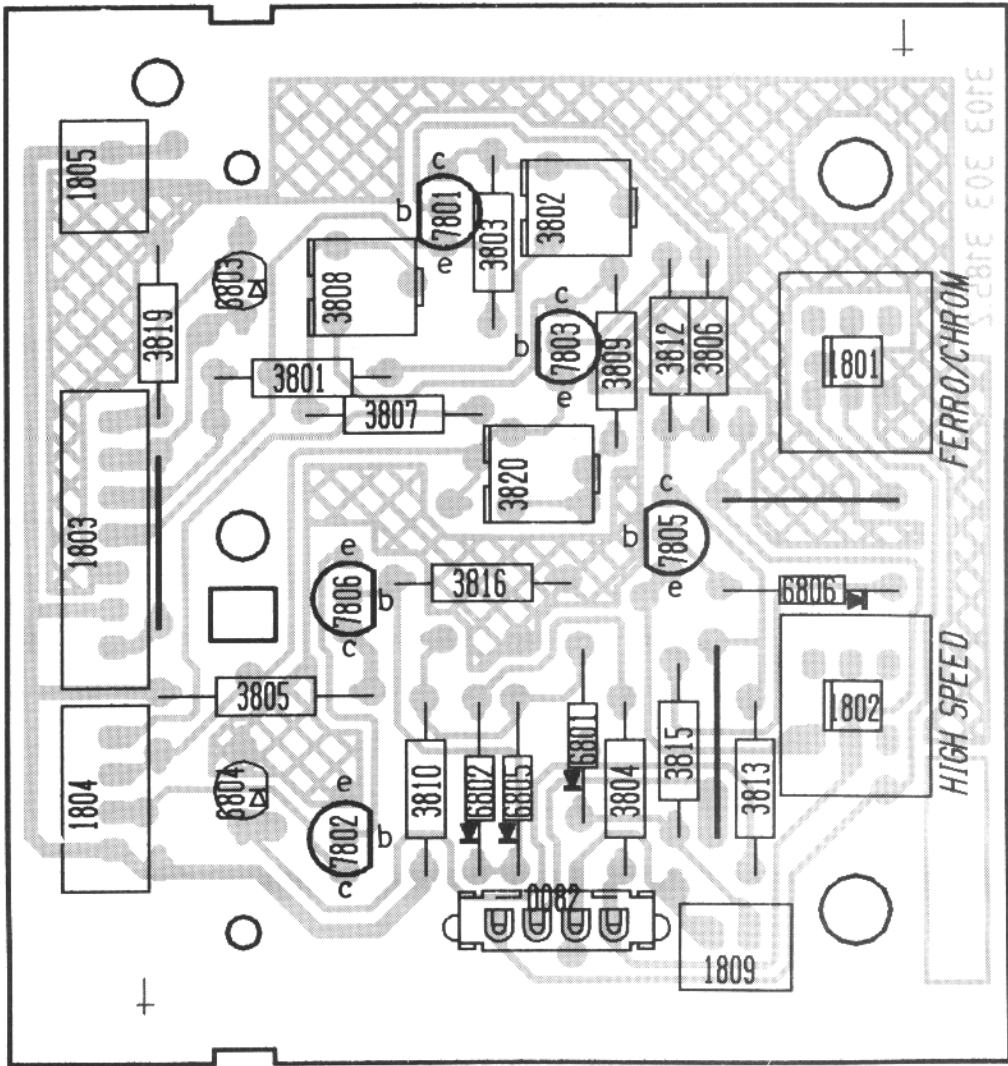


*1023	E 1
*1025	C 2
*1027	E 2
*1033	B 1
*1034	D12
*1037	B 2
0082	A12
1801	B11
1802	A10
1803	C 3
1804	A 3
1805	E12
1809	D12
3801	D 5
3802	D 5
3803	D 6
3804	E 5
3805	E 5
3806	C 9
3807	A 5
C 3808	A 5
3809	A 6
3810	E 6
3812	B 9
3813	C 9
3815	D10
3816	F 5
3819	C 5
D 3820	B 6
6801	F 7
6802	F 5
6803	C 4
6804	D 9
6805	F 6
6806	C10
7801	D 6
E 7802	F 4
7803	A 6
7805	B10
7806	F 5

*...COMPONENTS NOT ON PCB

0082	D 3	1809	D 3	3806	B 3	3813	D 3	6802	D 2	7802	D 2
1801	B 4	3801	B 2	3807	C 2	3815	D 3	6803	B 2	7803	B 3
1802	D 4	3802	B 3	3808	B 2	3816	C 2	6804	D 2	7805	C 3
1803	C 1	3803	B 2	3809	B 3	3819	B 1	6805	D 3	7806	C 2
1804	D 1	3804	D 3	3810	D 2	3820	C 3	6806	C 3		
1805	B 1	3805	D 2	3812	B 3	6801	D 3	7801	B 2		

TAPE MODE BOARD / COMPONENT SIDE VIEW / AS9500.00



CAD-REF: PC.AS9500.P7.D2.AS9500.00.B / 89-11-14

E 1
C 2
E 2
B 1
D12
B 2
A12
B11
A10
C 3
A 3
E12
D15
D 5
D 6
E 5
E 5
C 9
A 5
A 6
E 6
B 9
C 9
D10
F 5
C 5
B 6
F 7
F 5
C 4
D 9
F 6
C10
D 6
F 4
A 6
B10
F 5

+Vc - 20.1V

7301 7309

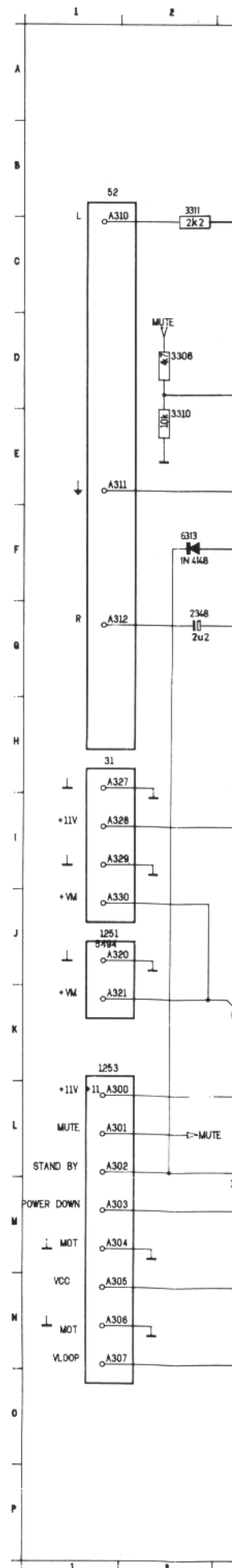
e - 11.2V e - 10.5V
 b - 12.5V b - 11.2V
 c - 20.1V c - 20.1V

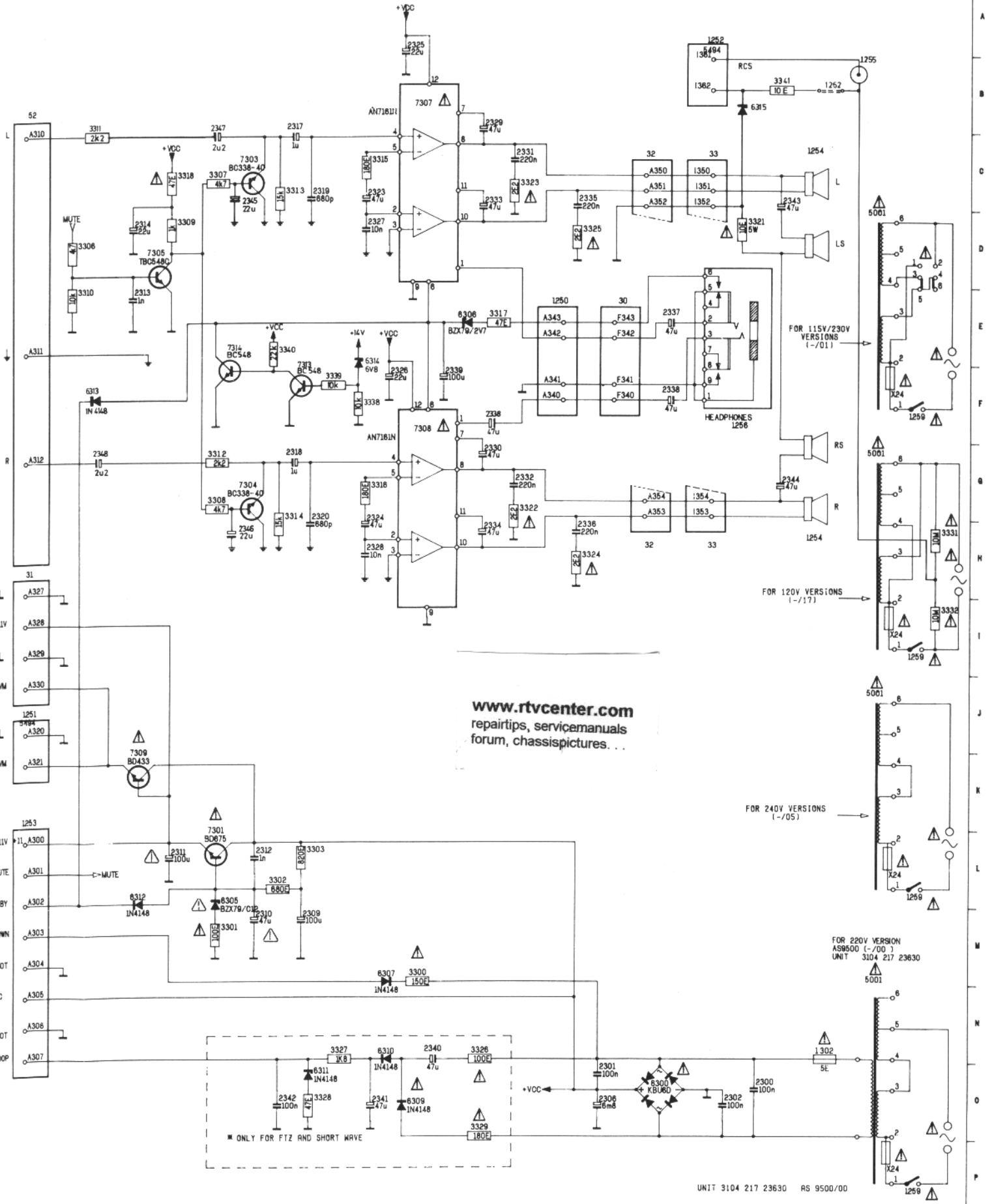
7307

7308

1 - 3.8V	1 - 3.8V
2 - 1.2V	2 - 1.2V
3 - 0V	3 - 0V
4 - 0.1V	4 - 0.1V
5 - 1.2V	5 - 1.2V
6 - 20.0V	6 - 20.0V
7 - 19.2V	7 - 19.2V
8 - 11.0V	8 - 11.0V
9 - 0V	9 - 0V
10 - 11.0V	10 - 11.0V
11 - 19.2V	11 - 19.2V
12 - 20.1V	12 - 20.1V

1250 E8	2346 H4	6313 F2
1251 J1	2347 B4	6314 F6
1252 A10	2348 G2	6315 B11
1253 K1	2348 G4	7301 K4
1254 C11	30 E9	7303 C4
1254 H11	31 H1	7304 G4
1255 B12	32 C9	7305 D3
1256 F11	32 H9	7307 B6
1262 B12	33 C10	7308 F6
1302 N12	33 H10	7309 J3
2300 O11	3300 M6	7313 F5
2301 O9	3301 M4	7314 E4
2302 O10	3302 L5	
2306 O9	3303 L5	
2309 M5	3306 D2	
2310 M4	3307 C4	
2311 L3	3308 G4	
2312 L4	3309 D3	
2313 E3	3310 E2	
2314 D3	3311 B2	
2317 B5	3312 G4	
2318 G5	3313 C5	
2319 C5	3314 G5	
2320 G5	3315 C6	
2321 C5	3316 G6	
2322 G5	3317 E7	
2323 C6	3318 C3	
2324 G6	3321 D11	
2325 A6	3322 G8	
2326 F6	3323 C8	
2327 D6	3324 H8	
2328 H6	3325 D8	
2329 B7	3326 N7	
2330 G7	3327 N5	
2331 C8	3328 O5	
2332 G8	3329 O7	
2333 C7	3331 H13	
2334 H7	3332 I13	
2335 C8	5001 M12	
2336 H8	5001 J12	
2337 E10	5001 G12	
2338 F7	5001 D12	
2338 F10	6300 O10	
2339 F7	6305 L4	
2340 N7	6306 E7	
2341 O6	6307 M6	
2342 O5	6309 O6	
2343 C11	6310 N6	
2344 G11	6311 O5	
2345 C4	6312 L3	





www.rtvcenter.com
 repair tips, servicemanuals
 forum, chassis pictures...

FOR 115V/230V
 VERSIONS (-/01)


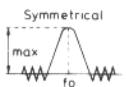

FOR 120V VERSIONS
 (-/17)

FOR 240V VERSIONS
 (-/05)

FOR 220V VERSION
 AS9500 (-/00)
 UNIT 3104 217 23630

ONLY FOR FTZ AND SHORT WAVE

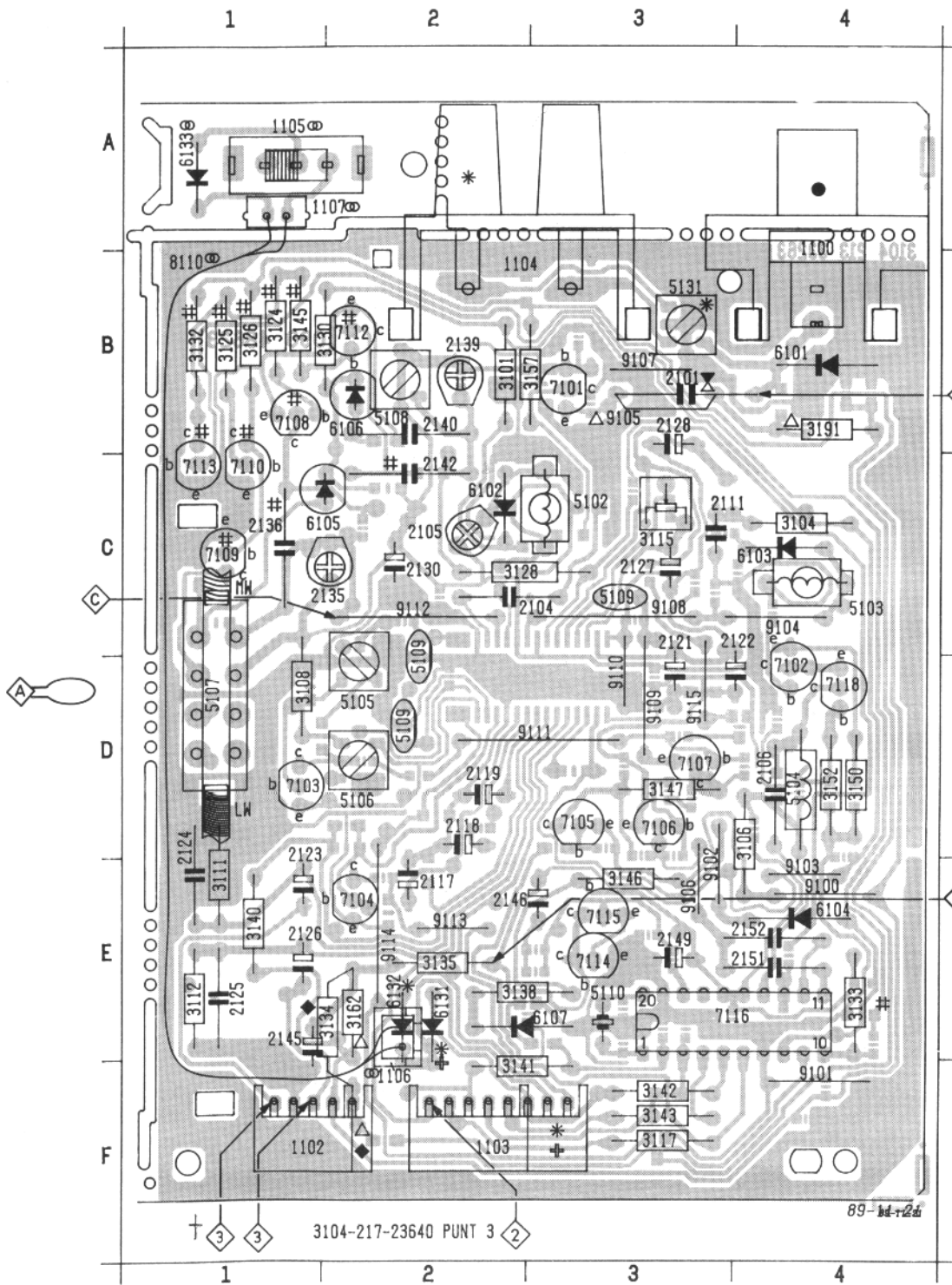
UNIT 3104 217 23630 RS 9500/00

SK...	FREQUENCY	I/P	DISPLAY	ADJUST	O/P	SCOPE/METER
Varicap alignment						
FM 87.5-108MHz			108MHz	5103	1	8V
			87.5MHz	check		2.9V +/- 0.3V
LW 148-284KHz			284KHz	5108		8.5V
MW 522-1611KHz			1611KHz	2139		8.5V
FM-RF						
FM	87.5MHz mod = 1KHz $\Delta f = 22.5\text{KHz}$	B	87.5MHz	5102	3	max. 
	108MHz mod = 1KHz $\Delta f = 22.5\text{KHz}$		108MHz	2105		
Stereo decoder						
FM	98MHz carrier 1mV	B	98MHz	3115	2	76 +/- 0.2KHz
AM-IF						
MW	450KHz \$ $\Delta f = 10\text{KHz}$ (50Hz)	C	522KHz	5106	3	Symmetrical 
				5105		
AM-RF						
LW *	200KHz		155KHz	5110	3	max. 
MW *	558KHz	A	603KHz	5110		
	1494KHz		1494KHz	2151		

* Mod = 1KHz 30% AM
\$ via 100nF

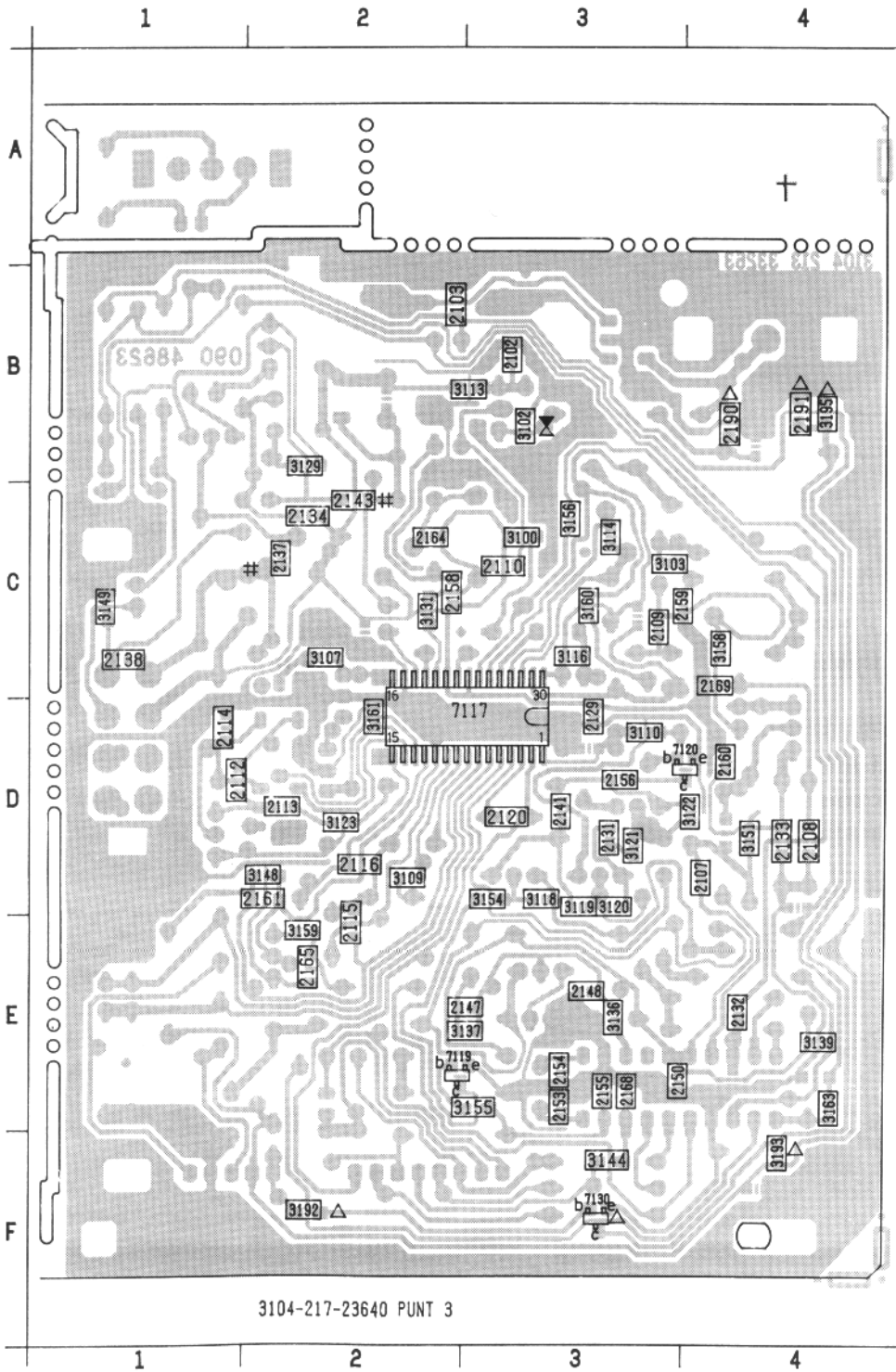
 Repeat





1100	A 4	5102	C 3
1102	F 1	5103	C 4
1103	F 2	5104	D 4
1104	B 2	5105	D 2
1105	A 1	5106	D 2
1106	F 2	5107	D 1
1107	A 2	5108	B 2
2101	B 3	5109	C 3
2104	C 3	5109	D 2
2105	C 2	5109	D 2
2106	D 4	5110	E 3
2111	C 3	5131	B 3
2117	E 2	6101	B 4
2118	D 2	6102	C 2
2119	F 2	6103	C 4
2121	C 3	6104	E 4
2122	C 4	6105	C 2
2123	E 1	6106	B 2
2124	D 1	6107	E 3
2125	E 1	6131	E 2
2126	E 1	6132	E 2
2127	C 3	6133	A 1
2128	B 3	7101	B 3
2130	C 2	7102	D 4
2135	C 2	7103	D 1
2136	C 1	7104	E 2
2139	B 2	7105	D 3
2140	B 2	7106	D 3
2142	C 2	7107	D 3
2145	E 1	7108	B 1
2146	E 2	7109	C 1
2149	E 3	7110	C 1
2151	E 4	7112	B 2
2152	E 4	7113	C 1
3101	B 2	7114	E 3
3104	C 4	7115	E 3
3106	D 4	7116	E 4
D 3108	D 1	7118	D 4
3111	E 1	8110	B 1
3112	E 1	9100	E 4
3115	C 3	9101	F 4
3117	F 3	9102	E 3
3124	B 1	9103	E 4
3125	B 1	9104	C 4
3126	B 1	9106	E 3
3128	C 2	9107	B 3
3130	B 2	9108	C 3
3132	B 1	9109	D 3
E 3133	E 4	9110	D 3
3134	E 2	9111	D 3
3135	E 2	9112	C 2
3138	E 2	9113	E 2
3140	E 1	9114	E 2
3141	F 2	9115	D 3
3142	F 3		
3143	F 3		
3145	B 1		
3146	E 3		
3147	D 3		
3150	D 4		
3152	D 4		
3157	B 3		
3191	B 4		

- △: ONLY FOR AUTOSTORE SETS (AS9600)
- ⊗: NOT FOR AUTOSTORE SETS
- *: ONLY FOR /17 UNITS
- : NOT FOR /17
- #: NOT FOR /01 /10 AND /17 UNITS
- ⊕: ONLY FOR /10 UNITS
- ◆: FOR EXTERNAL LOOP SUPPLY (AS9400) (AS9500)
- ⊙: ONLY FOR /01 UNITS

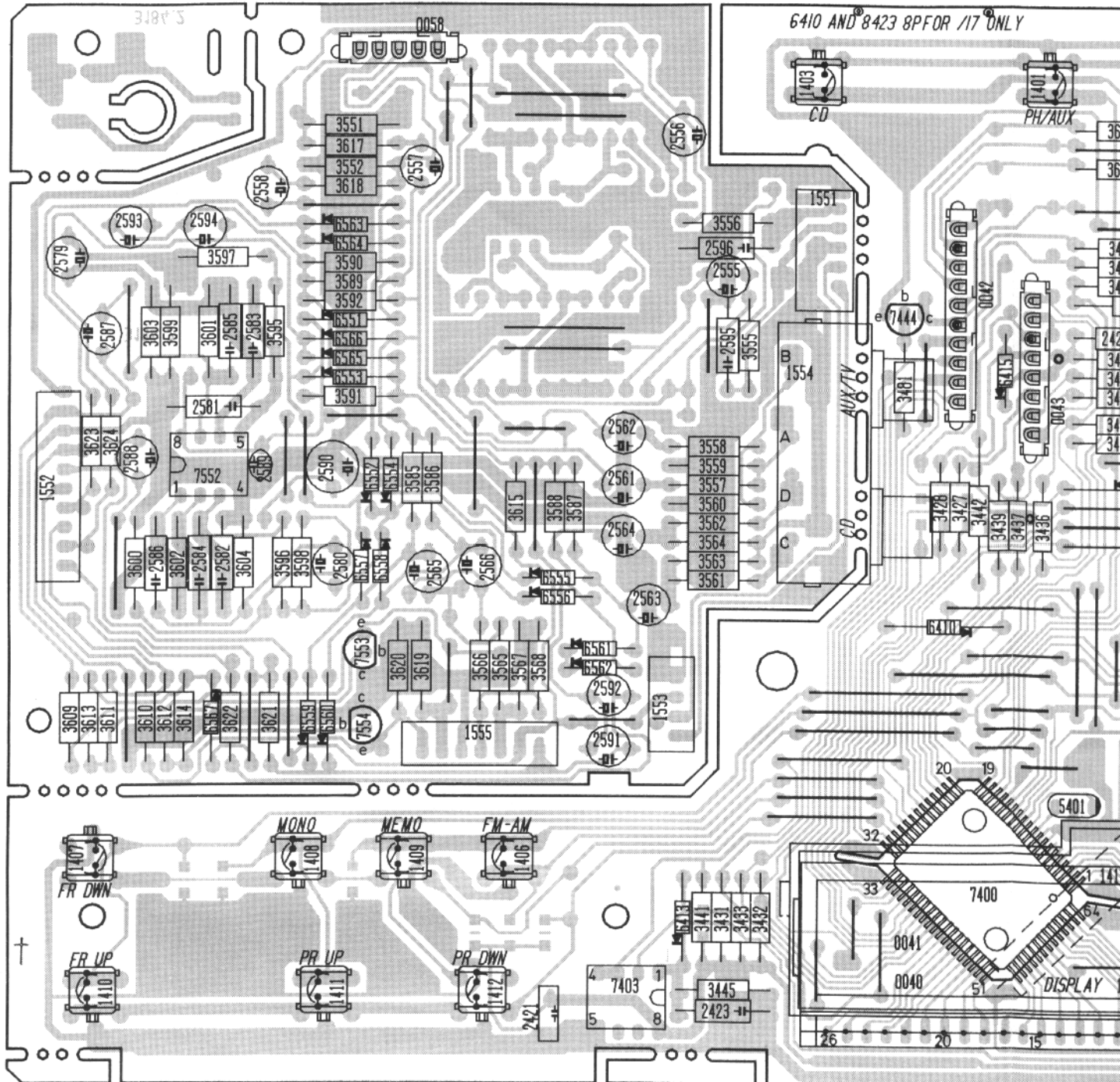


2102	B 3	3158	C 4
2103	B 2	3159	E 2
2107	D 4	3160	C 3
2108	D 4	3161	D 2
2109	C 3	3163	E 4
2110	C 3	3192	F 2
2112	D 1	3193	F 4
2113	D 2	3195	B 4
2114	D 1	7117	D 3
2115	E 2	7119	E 2
2116	D 2	7120	D 4
2120	D 3	7130	F 3
2129	D 3		
2131	D 3		
2132	E 4		
2133	D 4		
2134	C 2		
2137	C 2		
2138	C 1		
2141	D 3		
2143	C 2		
2147	E 3		
2148	E 3		
2150	E 4		
2153	E 3		
2154	E 3		
2155	E 3		
2156	D 3		
2158	C 2		
2159	C 4		
2160	D 4		
2161	D 2		
2164	C 2		
2165	E 2		
2168	E 3		
2169	C 4		
2190	B 4		
2191	B 4		
3100	C 3		
3102	B 3		
3103	C 3		
3107	C 2		
3109	D 2		
3110	D 3		
3113	B 3		
3114	C 3		
3115	C 3		
3118	D 3		
3119	D 3		
3120	D 3		
3121	D 3		
3122	D 4		
3123	D 2		
3129	B 2		
3131	C 2		
3136	E 3		
3137	E 3		
3139	E 4		
3144	F 3		
3148	D 2		
3149	C 1		
3151	D 4		
3154	D 3		
3155	E 3		
3156	C 3		

△: ONLY FOR AUTOSTORE SETS (AS9600)
 ✕: NOT FOR AUTOSTORE SETS
 *: ONLY FOR /17 UNITS
 #: NOT FOR /10 AND /17 UNITS
 +: ONLY FOR /10 UNITS

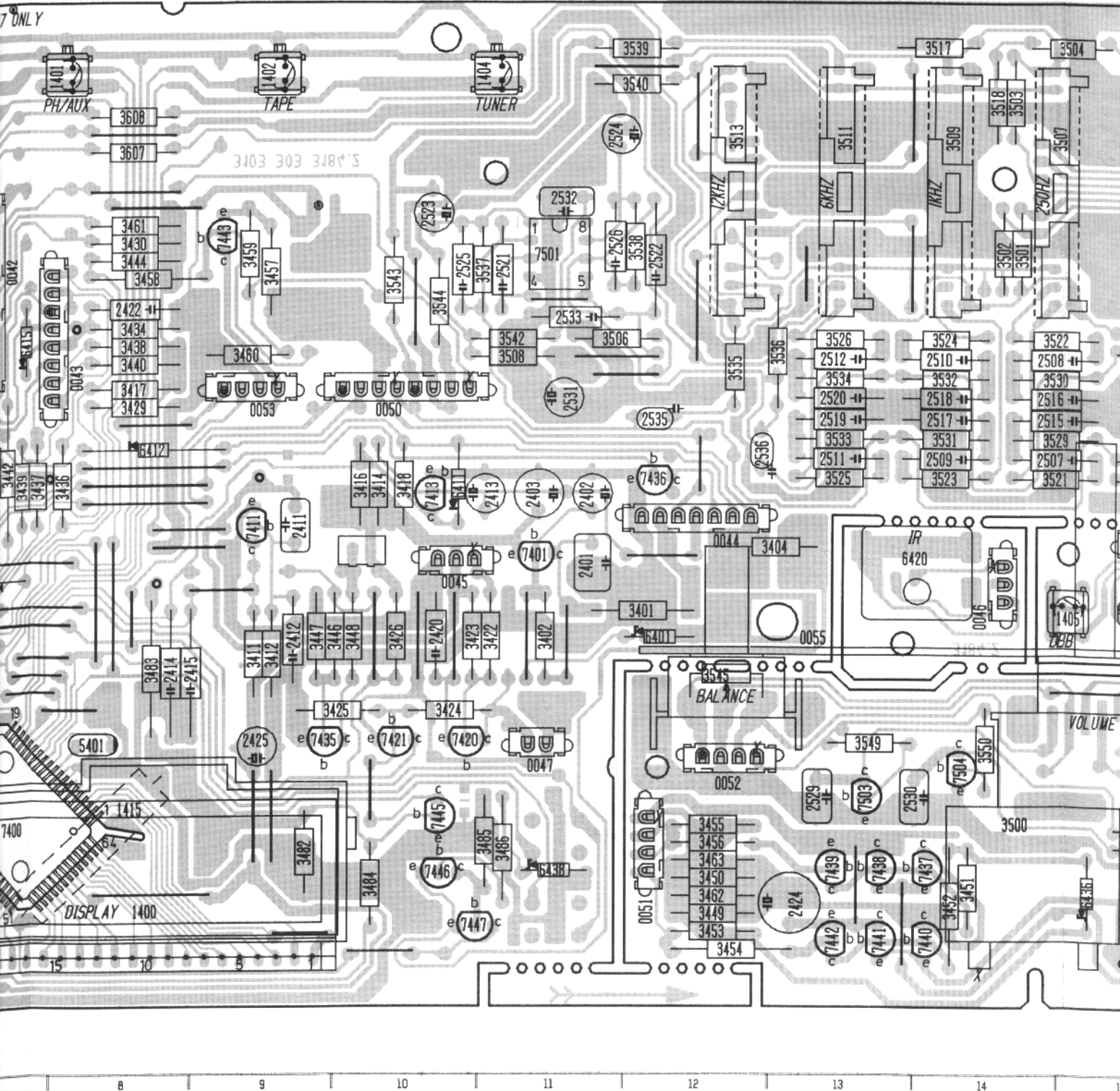
0040	G 7	0055	E13	1411	G 3	2412	E 9	2508	C14	2521	C11	2555	C 6	2582	E 2	2595	C 6	3424	F10	3438	C 8	3452	G14
0041	G 7	0058	A 4	1412	G 4	2413	D11	2509	D14	2522	C12	2556	B 5	2583	C 3	2596	C 5	3425	F10	3439	D 7	3453	G12
0042	C 7	1400	G 8	1415	G 8	2414	F 8	2510	C14	2523	B10	2557	B 4	2584	E 2	3401	E12	3426	E10	3440	D 8	3454	H12
0043	D 8	1401	A 8	1426	G16	2415	F 9	2511	D13	2524	B11	2558	B 3	2585	C 2	3402	E11	3427	D 7	3441	O 5	3455	G12
0044	E12	1402	A 9	1551	B 6	2420	E10	2512	C13	2525	C10	2561	D 5	2586	E 2	3404	E13	3428	D 7	3442	D 7	3456	G12
0045	E10	1403	A 6	1552	D 1	2421	H 4	2513	D15	2526	C11	2562	D 5	2587	C 2	3411	F 9	3429	D 8	3444	C 8	3457	C 9
0046	E14	1404	R11	1553	F 5	2422	C 8	2514	D15	2529	G13	2563	E 5	2588	D 2	3412	F 9	3430	C 8	3445	G 6	3458	C 8
0047	F11	1405	E15	1554	C 6	2423	H 5	2515	D14	2530	G13	2564	D 5	2589	D 3	3414	D10	3431	G 6	3446	E10	3459	C 8
0050	D10	1406	G 4	1555	F 4	2424	G13	2516	D14	2531	D11	2565	E 4	2590	D 3	3416	D10	3432	G 6	3447	E 9	3460	C 9
0051	G12	1407	G 1	2401	E11	2425	F 9	2517	D14	2532	B11	2566	E 4	2591	F 5	3417	D 8	3433	G 6	3448	E10	3461	C 8
0052	F12	1408	G 3	2402	D11	2505	D16	2518	D14	2533	C11	2579	C 1	2592	E 5	3418	D10	3434	C 8	3449	G12	3462	G12
0053	D 9	1409	G 4	2403	D11	2506	D16	2519	D13	2535	D12	2580	E 3	2593	B 2	3422	E11	3436	D 8	3450	G12	3463	G12
0054	E16	1410	G 2	2411	E 9	2507	D14	2520	D13	2536	D12	2581	D 2	2594	B 2	3423	E10	3437	D 7	3451	G14	3481	C 7

FRONT BOARD / COMPONENT SIDE VIEW / AS9500.00



CAD-REF: PC.AS9500.P5.D2.AS9500.00.B / 89-11-24

38	C 8	3452	G 14	3482	G 9	3508	C 11	3526	C 13	3539	A 12	3556	B 6	3585	D 4	3600	E 2	3615	D 4	6412	D 8	6557	E 3	7400
39	D 7	3453	G 12	3483	F 8	3509	B 14	3527	D 15	3540	B 12	3557	D 5	3586	D 4	3601	C 2	3617	B 3	6413	G 5	6558	E 3	7401
40	D 8	3454	H 12	3484	G 10	3511	B 13	3528	C 15	3542	C 11	3558	D 5	3587	D 5	3602	E 2	3618	B 3	6415	C 7	6559	F 3	7402
41	G 5	3455	G 12	3485	G 11	3513	B 12	3529	D 14	3543	C 10	3559	D 5	3588	D 4	3603	C 2	3619	E 4	6420	E 14	6560	F 3	7403
42	D 7	3456	G 12	3486	G 11	3517	R 14	3530	D 14	3544	C 10	3560	D 5	3589	C 3	3604	E 2	3620	E 3	6436	G 15	6561	E 5	7404
44	C 8	3457	C 9	3500	G 14	3518	B 14	3531	D 14	3545	F 12	3561	E 5	3590	C 3	3607	B 8	3621	F 3	6437	E 15	6562	E 5	7405
45	G 6	3458	C 8	3501	C 14	3519	D 15	3532	D 14	3547	G 15	3562	D 5	3591	D 3	3608	B 8	3622	F 2	6438	G 11	6563	B 3	7406
46	E 10	3459	C 9	3502	C 14	3520	C 16	3533	D 13	3548	G 15	3563	E 5	3592	C 3	3609	F 1	3623	D 1	6551	C 3	6564	C 3	7407
47	E 9	3460	C 9	3503	B 14	3521	D 14	3534	D 13	3549	F 13	3564	D 5	3595	C 3	3610	F 2	3624	D 2	6552	D 3	6565	C 3	7408
48	E 10	3461	C 8	3504	R 15	3522	C 14	3535	D 12	3550	F 14	3565	E 4	3596	E 3	3611	F 2	5401	F 8	6553	C 3	6566	C 3	7409
49	G 12	3462	G 12	3505	B 15	3523	D 14	3536	C 13	3551	B 3	3566	E 4	3597	C 2	3612	F 2	6401	E 12	6554	D 3	6567	F 2	7410
50	G 12	3463	G 12	3506	C 11	3524	C 14	3537	C 11	3552	B 3	3567	E 4	3598	E 3	3613	F 1	6410	E 7	6555	E 4	7400	G 7	7411
51	G 14	3481	C 7	3507	B 15	3525	D 13	3538	C 12	3555	C 6	3568	E 4	3599	C 2	3614	F 2	6411	D 10	6556	E 4	7401	E 11	7412



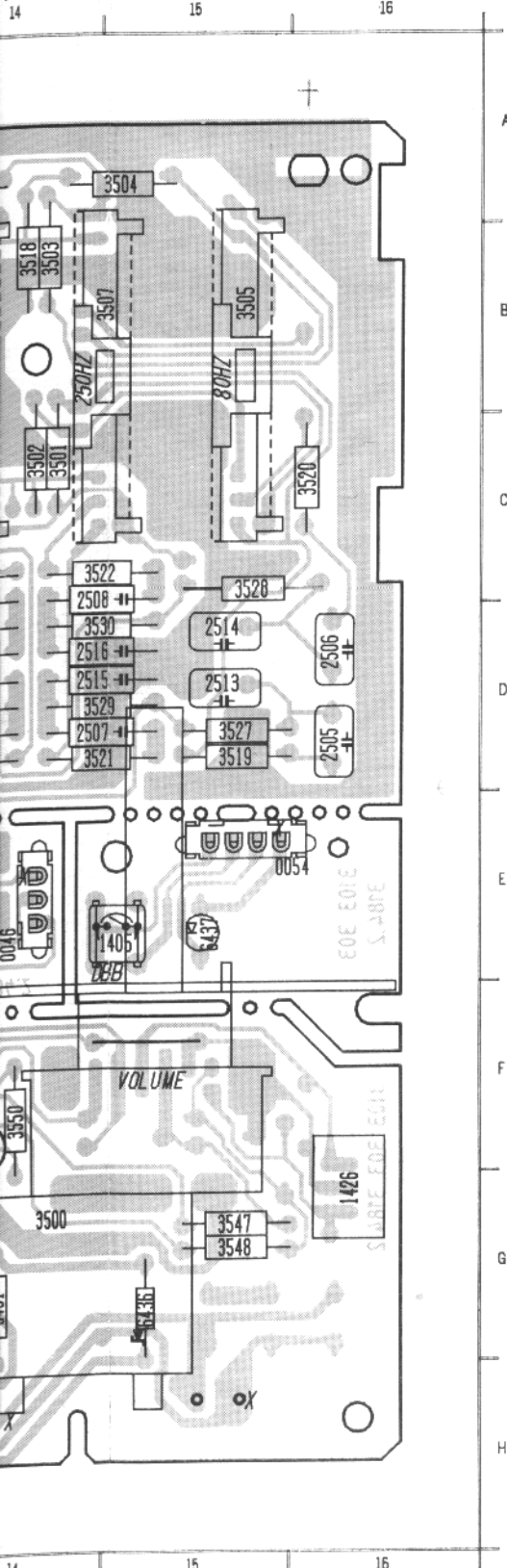
8	6557	E 3	7403	G 5	7443	C 9
5	6558	E 3	7411	E 9	7444	C 7
7	6559	F 3	7413	D10	7445	G10
4	6560	F 3	7420	F10	7446	G10
5	6561	E 5	7421	F10	7447	G10
5	6562	E 5	7435	F 9	7501	C11
1	6563	B 3	7436	D12	7503	G13
3	6564	C 3	7437	G14	7504	F14
3	6565	C 3	7438	G13	7552	D 2
3	6566	C 3	7439	G13	7553	E 3
3	6567	F 2	7440	H14	7554	F 3
4	7400	G 7	7441	H13		
4	7401	E11	7442	H13		

+MOT - 11.2V

7501

7552

1	- 5.6V	1	- 4.7V
2	- 5.6V	2	- 1.5V
3	- 5.6V	3	- 1.5V
4	- 0V	4	- 0V
5	- 5.6V	5	- 1.5V
6	- 5.6V	6	- 1.5V
7	- 5.6V	7	- 4.7V
8	- 10.7V	8	- 8.4V



7401 7446 7447

e	- 4.9V	10.1V	10.1V
b	- 5.4V	9.6V	9.3V
c	- 19.4V	9.3V	10.0V

ITEM NORMAL VOLUME DOWN VOLUME UP

7437

e	- 8.9V	0.7V	4.8V
b	- 8.1V	0V	5.5V
c	- 11.1V	6.2V	6.2V

7438

e	- 8.9V	0.7V	4.8V
b	- 8.1V	0V	5.5V
c	- 0V	0V	0V

7439

e	- 0V	0V	0V
b	- 0.1V	0.7V	0.1V
c	- 8.1V	0V	5.5V

7440

e	- 8.9V	4.8V	0.7V
b	- 8.1V	5.5V	0V
c	- 11.1V	6.2V	6.2V

7441

e	- 8.9V	4.8V	0.7V
b	- 8.1V	5.5V	0V
c	- 0V	0V	0V

7442

e	- 0V	0V	0V
b	- 0.1V	0.1V	0.7V
c	- 8.1V	5.5V	0V